



## A Perfect Blend For Kitchen



### KITCHEN

### FITTINGS

2023-2024 V1.0

- . Drawer Set . Drawer Organizer
- . Pull Out Basket . Swing Tray . Tall Larder Unit
- . Lighting System . Wardrobe Storage





is a premier brand founded by TW Kitchen and Bath Sdn. Bhd. (Formerly known as Teamhauss Sdn. Bhd.). HAUSS has been an unsurpassed furniture fitting solutions brand for more than a decade. HAUSS is committed to provide distinctive product quality and full customer satisfaction service in all aspects of business.

With current Internet business trend, we are developing an e-Commerce platform to empower our business. Enquiry, business transactions can be done Online. We strive to gain trust and satisfaction of our customers, suppliers and trade partners through courteous service and delivery of good quality product.



HAUSS has been providing a comprehensive ranges of cabinetry hardware especially in motion technologies. We provide infinite possibilities in design solutions which cater for all needs. With innovative design and good product quality, we have earned good reputation in the market.

Our spirit and mission to be an industry leader shall prevail. From style, functionality, ease of installation to product material, our kitchen storage system offers an incredible range of design options. Whether you are building or remodeling an existing space, we can help you to achieve the look and feel as you desired.

Our continuous research and development has created a perfect blend of ergonomic kitchen with functional accessories. We make your dream kitchen a very comfortable place to be. With variety of product choices, we will help you through your design. It is our expertise in exploring your imagination and making your dream kitchen into reality!

# CONTENT

## SLIM BOX SERIES

. Drawer Set	Pg 4 ~ 5
. Inner Drawer Set	Pg 6 ~ 8
. Add On Accessories for SLIM BOX Series	Pg 9

## BENNO SOFT CLOSE SERIES

. Drawer Set	Pg 10 ~ 15
. Inner Drawer Set	Pg 16 ~ 19
. Undermount Runner	Pg 20 ~ 21
. Full Extension Slide	Pg 21

. Complementary Products & Accessories For Slim Box Series	Pg 22
---	-------

. Complementary Products & Accessories For Benno Soft Close Series	Pg 23-24
---	----------

## DRAWER ORGANIZER SERIES

. Stainless Steel Drawer Organizer	Pg 25
. Cutlery Tray (Metallic Grey)	Pg 26 ~ 27

## PREMIUM STORAGE SERIES

. Aluminium 3 Side Pull Out Basket	Pg 29
. Aluminium 3 Side Multifunction Pull Out Basket	Pg 30
. Aluminium 4 Side Pull Out Basket	Pg 31
. Aluminium 4 Side Multifunction Pull Out Basket	Pg 32
. Aluminium Glass Base Unit Deluxe Larder	Pg 33
. Complete Out Magic Corner	Pg 34
. Aluminium Glass Magic Corner	Pg 35
. Aluminium Utility 2 Layers Pull Out Basket	Pg 36 ~ 37
. Aluminium Utility 3 Layers Pull Out Basket	Pg 38 ~ 39
. Magic Collector Aluminium Glass Mental Deficiency Functions	Pg 40
. Aluminium Side Mounted Glass Tall Larder	Pg 41
. Aluminium Glass Tall Larder	Pg 42 ~ 43

## CLASSIC STORAGE SERIES

. Wire Tall Larder	Pg 44 ~ 45
. Soft Close Small Side Mounted Kit	Pg 46
. Space Genie Pull Out Basket	Pg 47
. Pull Out Basket	Pg 48 ~ 49
. Bowl And Plate Pull Out Basket	Pg 50 ~ 51
. 180° Swivel Basket Kit	Pg 52
. 270° Pie-Cut Swivel Basket Kit	Pg 53
. Swing Tray	Pg 54 ~ 55
. Soft Close Concord Corner Kit	Pg 56
. 2 Layer Utility Basket	Pg 57
. 3 Layer Utility Basket	Pg 58
. Cleaning Material Pull Out Basket	Pg 59
. Soft Close Cleaning Material Basket	Pg 60
. Wall Unit Inoxmatic Dish Rack	Pg 61
. Wine Glass Rack	Pg 61
. Stainless Steel Free Standing Dish Rack	Pg 62

## LIGHTING SERIES

. Kitchen And Wardrobe Lighting	Pg 63 ~ 72
---------------------------------	------------

## WARDROBE SERIES

. Wardrobe Storage	Pg 73 ~ 83
--------------------	------------

## FITTING ACCESSORIES

. Kitchen Fitting Accessories	Pg 84 ~ 92
-------------------------------	------------

## OPEN DOOR SYSTEM

. Open Door System (LAMP)	Pg 93 ~ 97
---------------------------	------------

## SLIDING DOOR SERIES

. Sliding Door	Pg 98 ~ 99
----------------	------------

## ALUMINIUM DOOR SERIES

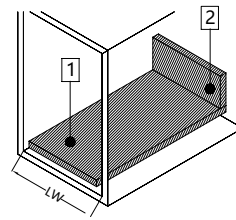
. Aluminium Door	Pg 100 ~ 106
------------------	--------------

## DOOR PANEL SERIES

. Acrylic Door Panel	Pg 107
----------------------	--------



## DS611 Slim Box



Technology pivot:  
Bottom and Back Panel Measurement  
**16mm** Panel

- 1** LW: Inside Cabinet Width  
Bottom panel width=Inside Cabinet Width -75±0.5  
Bottom panel length=Runner length -10mm
- 2** Back panel height= **68mm**  
Back panel width=Inside Cabinet Width -87±0.5

**Soft Closing**

**50,000**  
time cycle test

**NOTE:**

Please refer to pg22 for Complementary Products and Accessories  
(Item Number S1, S4, S5 & S8)

**Supplied with**



DS-TS/450X1GS  
DS-TS/500X1GS



DS-GD/450D7  
DS-GD/500D7



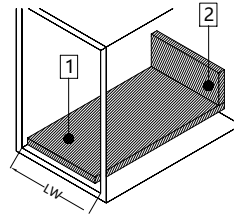
DSF-XM



DS-Q1/68CG

Model	Description	Loading Capacity	Material	Finishing	Nominal Length	Min. Height	Packing	Unit Price
<b>1019 611 450</b>	DS611-450	30kg	Metal	Charcoal Grey	450	110	1 set/box, 5 sets/ctn	<b>RM 125.00</b>
<b>1019 611 500</b>	DS611-500	30kg	Metal	Charcoal Grey	500	110	1 set/box, 5 sets/ctn	<b>RM 125.00</b>
<b>1119 611 500</b>	DS611-500/50	50kg	Metal	Charcoal Grey	500	110	1 set/box, 5 sets/ctn	<b>RM 145.00</b>

## DS612 Slim Box



Technology pivot:  
Bottom and Back Panel Measurement  
**16mm** Density Panel

- 1 LW: Inside Cabinet Width  
Bottom panel width=Inside Cabinet Width -75±0.5  
Bottom panel length=Runner length -10mm
- 2 Back panel height= **151mm**  
Back panel width=Inside Cabinet Width -87±0.5



**Supplied with**



DS-TS/450X2GS  
DS-TS/500X2GS



DS-GD/450D7  
DS-GD/500D7



DSF-XM/612



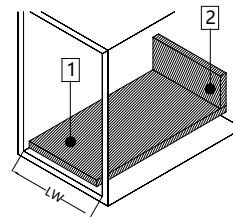
DS-Q1/150CG

**NOTE:**

Please refer to pg22 for Complementary Products and Accessories  
(Item number S2, S4, S6 & S9)

Model	Description	Loading Capacity	Material	Finishing	Nominal Length	Min. Height	Packing	Unit Price
<b>1019 612 450</b>	DS612-450	30kg	Metal	Charcoal Grey	450	192	1 set/box, 5 sets/ctn	<b>RM 145.00</b>
<b>1019 612 500</b>	DS612-500	30kg	Metal	Charcoal Grey	500	192	1 set/box, 5 sets/ctn	<b>RM 145.00</b>
<b>1119 612 500</b>	DS612-500/50	50kg	Metal	Charcoal Grey	500	192	1 set/box, 5 sets/ctn	<b>RM 165.00</b>

## DS613 Slim Box



Technology pivot:  
Bottom and Back Panel Measurement  
**16mm** Panel

- 1 LW: Inside Cabinet Width  
Bottom panel width=Inside Cabinet Width -75±0.5  
Bottom panel length=Runner length -10mm
- 2 Back panel height= **183mm**  
Back panel width=Inside Cabinet Width -87±0.5



**Supplied with**



DS-TS/450X3GS  
DS-TS/500X3GS



DS-GD/450D7  
DS-GD/500D7



DSF-XM/613



DS-Q1/183CG

**NOTE:**

Please refer to pg22 for Complementary Products and Accessories  
(Item number S3, S4, S7 & S10)

Model	Description	Loading Capacity	Material	Finishing	Nominal Length	Min. Height	Packing	Unit Price
<b>1019 613 450</b>	DS613-450	30kg	Metal	Charcoal Grey	450	225	1 set/box, 5 sets/ctn	<b>RM 155.00</b>
<b>1019 613 500</b>	DS613-500	30kg	Metal	Charcoal Grey	500	225	1 set/box, 5 sets/ctn	<b>RM 155.00</b>
<b>1119 613 500</b>	DS613-500/50	50kg	Metal	Charcoal Grey	500	225	1 set/box, 5 sets/ctn	<b>RM 175.00</b>

\* All the measurement by millimeter (mm)

## DS616 Slim Inner Box (Standard)



### Supplied with



DS-TS/450X1GS  
DS-TS/500X1GS



DS-GD/450D7  
DS-GD/500D7



DSAQ311-600CG  
DSAQ311-900CG  
DSAQ311-1200CG



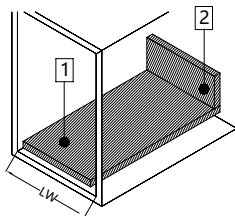
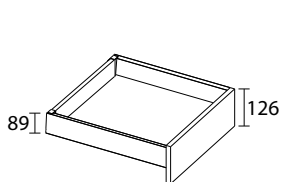
DS-Q1/68CG



DSF-XM



DSAQ301CG



Technology pivot:  
Bottom and Back Panel Measurement  
**16mm** Panel

- 1 LW: Inside Cabinet Width  
Bottom panel width=Inside Cabinet Width -75±0.5
- 2 Bottom panel length=Runner length -10mm  
Back panel height= **68mm**  
Back panel width=Inside Cabinet Width -87±0.5

**Soft Closing**

**50,000**  
time cycle test

### NOTE:

Please refer to pg22 for Complementary Products and Accessories (Item number S1, S4, S5, S8, S11 & S14)

\* All the measurement by millimeter (mm)

Model	Description	Loading Capacity	Material	Finishing	Nominal Length	Cabinet Width	Min. Height	Unit Price
1019 616 061	DS616-450x600CG	30kg	Metal	Charcoal Grey	450	600	126	<b>RM 180.00</b>
1019 616 062	DS616-500x600CG	30kg	Metal	Charcoal Grey	500	600	126	<b>RM 180.00</b>
1119 616 062	DS616-500x600CG/50	50kg	Metal	Charcoal Grey	500	600	126	<b>RM 200.00</b>
1019 616 091	DS616-450x900CG	30kg	Metal	Charcoal Grey	450	900	126	<b>RM 202.00</b>
1019 616 092	DS616-500x900CG	30kg	Metal	Charcoal Grey	500	900	126	<b>RM 202.00</b>
1119 616 092	DS616-500x900CG/50	50kg	Metal	Charcoal Grey	500	900	126	<b>RM 222.00</b>
1019 616 121	DS616-450x1200CG	30kg	Metal	Charcoal Grey	450	1200	126	<b>RM 209.00</b>
1019 616 122	DS616-500x1200CG	30kg	Metal	Charcoal Grey	500	1200	126	<b>RM 209.00</b>
1119 616 122	DS616-500x1200CG/50	50kg	Metal	Charcoal Grey	500	1200	126	<b>RM 229.00</b>

## DS617 Slim High Inner Drawer (With Glass)



### Supplied with



DS-TS/450X2GS  
DS-TS/500X2GS



DS-GD/450D7  
DS-GD/500D7



DSAQ311-600CG  
DSAQ311-900CG



DSQ352-01-600CG  
DSQ352-01-900CG



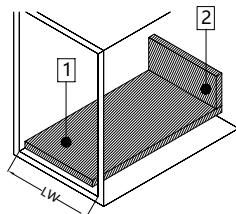
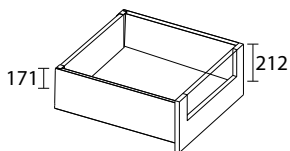
DS-QI/150CG



DSF-XM/612



DSAQ305CG



Technology pivot:  
Bottom and Back Panel Measurement  
**16mm** Panel

- 1** LW: Inside Cabinet Width  
Bottom panel width=Inside Cabinet Width -75±0.5  
Bottom panel length=Runner length -10mm
- 2** Back panel height= **151mm**  
Back panel width=Inside Cabinet Width -87±0.5

**Soft Closing**

**50,000**  
time cycle test

**NOTE:**

Please refer to pg22 for Complementary Products and Accessories (Item number S2, S4, S6, S9, S12, S14 & S15)

Model	Description	Loading Capacity	Material	Finishing	Nominal Length	Cabinet Width	Min. Height	Unit Price
<b>1019 617 061</b>	DS617-450X600CG	30kg	Metal	Charcoal Grey	450	600	212	<b>RM 256.00</b>
<b>1019 617 062</b>	DS617-500x600CG	30kg	Metal	Charcoal Grey	500	600	212	<b>RM 256.00</b>
<b>1119 617 062</b>	DS617-500x600GC/50	50kg	Metal	Charcoal Grey	500	600	212	<b>RM 276.00</b>
<b>1019 617 091</b>	DS617-450x900CG	30kg	Metal	Charcoal Grey	450	900	212	<b>RM 295.00</b>
<b>1019 617 092</b>	DS617-500x900CG	30kg	Metal	Charcoal Grey	500	900	212	<b>RM 295.00</b>
<b>1119 617 092</b>	DS617-500x900GC/50	50kg	Metal	Charcoal Grey	500	900	212	<b>RM 315.00</b>

\* All the measurement by millimeter (mm)

## DS618 Slim High Inner Drawer (With Rail)



### Supplied with



DS-TS/450X2GS  
DS-TS/500X2GS



DS-GD/450D7  
DS-GD/500D7



DSAQ311-600CG  
DSAQ311-900CG  
DSAQ311-1200CG



DSAQ305-03-600CG  
DSAQ305-03-900CG  
DSAQ305-03-1200CG



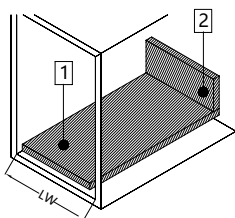
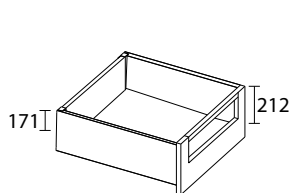
DS-Q1/150CG



DSF-XM/612



DSAQ315CG



Technology pivot:  
Bottom and Back Panel Measurement  
**16mm** Panel

- 1 LW: Inside Cabinet Width  
Bottom panel width=Inside Cabinet Width -75±0.5  
Bottom panel length=Runner length -10mm
- 2 Back panel height= **151mm**  
Back panel width=Inside Cabinet Width -87±0.5

**Soft Closing**

**50,000**  
time cycle test

### NOTE:

Please refer to pg22 for Complementary Products and Accessories (Item number S2, S4, S6, S9, S13, S14 & S16)

Model	Description	Loading Capacity	Material	Finishing	Nominal Length	Cabinet Width	Min. Height	Unit Price
1019 618 061	DS618-450X600CG	30kg	Metal	Charcoal Grey	450	600	212	RM 231.00
1019 618 062	DS618-500x600CG	30kg	Metal	Charcoal Grey	500	600	212	RM 231.00
1119 618 062	DS618-500x600GC/50	50kg	Metal	Charcoal Grey	500	600	212	RM 251.00
1019 618 091	DS618-450x900CG	30kg	Metal	Charcoal Grey	450	900	212	RM 258.00
1019 618 092	DS618-500x900CG	30kg	Metal	Charcoal Grey	500	900	212	RM 258.00
1119 618 092	DS618-500x900GC/50	50kg	Metal	Charcoal Grey	500	900	212	RM 278.00
1019 618 121	DS618-450x1200CG	30kg	Metal	Charcoal Grey	450	1200	212	RM 271.00
1019 618 122	DS618-500x1200CG	30kg	Metal	Charcoal Grey	500	1200	212	RM 271.00
1119 618 122	DS618-500x1200GC/50	50kg	Metal	Charcoal Grey	500	1200	212	RM 291.00



## Add On Accessories for SLIM BOX Series



	Model	Description	Material	Width	Unit Price
	<b>1019 001 060</b>	DSCQ350-495 Horizontal Divider	Metal	478	<b>RM 45.00</b>
	<b>1019 001 090</b>	DSCQ350-795 Horizontal Divider	Metal	778	<b>RM 65.00</b>
	<b>1019 001 120</b>	DSCQ350-1095 Horizontal Divider	Metal	1078	<b>RM 82.00</b>

	Model	Description	Material	Depth	Unit Price
	<b>1019 003 001</b>	DSDQ90CG Vertical Divider	Metal	90	<b>RM 15.00</b>

	Model	Description	Material	Depth	Unit Price
	<b>DSR/YMQ-500</b>	Heighting Rail for Slim Drawer 500mm	Metal	500	<b>RM 20.00</b>

\* All the measurement by millimeter (mm)

# BENNO SOFT CLOSE SERIES

**HAU2S**<sup>®</sup>



## DS301N Standard Drawer



### Supplied with



DS-TS/450HF  
DS-TS/500HF



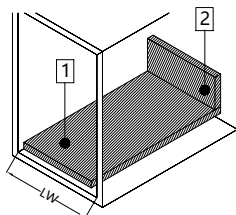
DS/30kg-450MM  
DS/30kg-500MM  
DS/50kg-500MM



DSF-M



DS-BC/68WH



Technology pivot:  
Bottom and Back Panel Measurement  
**16mm** Panel

- 1** LW: Inside Cabinet Width  
Bottom panel width=Inside Cabinet Width  $-77\pm 0.5$
- 2** Bottom panel length=Runner length  $-10\text{mm}$   
Back panel height= **68mm**  
Back panel width=Inside Cabinet Width  $-87\pm 0.5$



### NOTE:

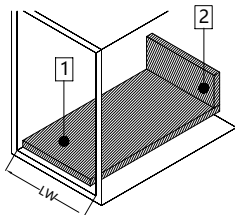
Please refer to pg23-24 for Complementary Products and Accessories (Item number B1, B2, B9 & B14)

Model	Description	Loading Capacity	Material	Finishing	Nominal Length	Min. Height	Packing	Unit Price
<b>1025 301 450</b>	DS301N-450WH	30kg	Metal	White	450	105	1 set/box, 6 sets/ctn	<b>RM 120.00</b>
<b>1025 301 500</b>	DS301N-500WH	30kg	Metal	White	500	105	1 set/box, 6 sets/ctn	<b>RM 120.00</b>
<b>1125 301 500</b>	DS301N-500WH/50	50kg	Metal	White	500	105	1 set/box, 6 sets/ctn	<b>RM 135.00</b>

## DS302N High Drawer Single Gallery



### Supplied with



Technology pivot:  
 Bottom and Back Panel Measurement  
**16mm** Panel

- 1** LW: Inside Cabinet Width  
 Bottom panel width=Inside Cabinet Width -77±0.5
- 2** Bottom panel length=Runner length -10mm  
 Back panel height= **142mm**  
 Back panel width=Inside Cabinet Width -87±0.5

**Soft Closing**

**50,000**  
 time cycle test

**NOTE:**  
 Please refer to pg23-24 for Complementary Products and Accessories  
 (Item number B1, B2, B5, B9 & B15)

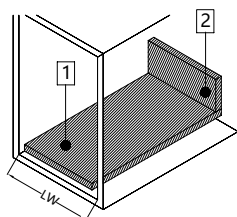
Model	Description	Loading Capacity	Material	Finishing	Nominal Length	Min. Height	Packing	Unit Price
<b>1025 302 450</b>	DS302N-450WH	30kg	Metal	White	450	182	1 set/box, 6 sets/ctn	<b>RM 138.00</b>
<b>1025 302 500</b>	DS302N-500WH	30kg	Metal	White	500	182	1 set/box, 6 sets/ctn	<b>RM 138.00</b>
<b>1125 302 500</b>	DS302N-500WH/50	50kg	Metal	White	500	182	1 set/box, 6 sets/ctn	<b>RM 153.00</b>

\* All the measurement by millimeter (mm)

## DS304N High Drawer Double Gallery



### Supplied with



Technology pivot:  
 Bottom and Back Panel Measurement  
**16mm** Panel

- 1** LW: Inside Cabinet Width  
 Bottom panel width=Inside Cabinet Width -77±0.5
- 2** Bottom panel length=Runner length -10mm  
 Back panel height= **185mm**  
 Back panel width=Inside Cabinet Width -87±0.5

**Soft Closing**

**50,000**  
 time cycle test

### NOTE:

Please refer to pg23-24 for Complementary Products and Accessories (Item number B1, B2, B9, B17 & B19)

Model	Description	Loading Capacity	Material	Finishing	Nominal Length	Min. Height	Packing	Unit Price
<b>1025 304 450</b>	DS304N-450WH	30kg	Metal	White	450	223	1 set/box, 6 sets/ctn	<b>RM 158.00</b>
<b>1025 304 500</b>	DS304N-500WH	30kg	Metal	White	500	223	1 set/box, 6 sets/ctn	<b>RM 158.00</b>
<b>1125 304 500</b>	DS304N-500WH/50	50kg	Metal	White	500	223	1 set/box, 6 sets/ctn	<b>RM 173.00</b>

\* All the measurement by millimeter (mm)

## DS302 Series B Railing Divider Set



### Supplied with



DS-TS/450HF  
DS-TS/500HF

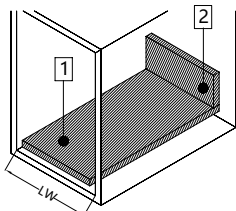
DS/30kg-450MM  
DS/30kg-500MM  
DS/50kg-500MM

DS-BC/142WH

DSF-M

DSR450W  
DSR500W

DS340-450x600 DS340-450x900  
DS340-500x600 DS340-500x900



Technology pivot:  
Bottom and Back Panel Measurement  
**16mm** Panel

- 1 LW: Inside Cabinet Width  
Bottom panel width=Inside Cabinet Width  $-77\pm 0.5$
- 2 Bottom panel length=Runner length  $-10$ mm  
Back panel height= **142mm**  
Back panel width=Inside Cabinet Width  $-87\pm 0.5$



### NOTE:

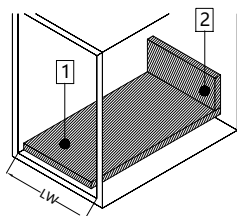
Please refer to pg23-24 for Complementary Products and Accessories (Item number B1, B2, B9, B15, B18 & B20)

Model	Description	Loading Capacity	Material	Colour	Cabinet Width	Nominal Length	Min. Height	Unit Price
1015 309 145	DS302-450 x 600 Series B	30kg	Metal	White	600	450	182	RM 195.00
1015 309 150	DS302-500 x 600 Series B	30kg	Metal	White	600	500	182	RM 198.00
1115 309 150	DS302-500 x 600/50 Series B	50kg	Metal	White	600	500	182	RM 213.00
1015 309 245	DS302-450 x 900 Series B	30kg	Metal	White	900	450	182	RM 198.00
1015 309 250	DS302-500 x 900 Series B	30kg	Metal	White	900	500	182	RM 201.00
1115 309 250	DS302-500 x 900/50 Series B	50kg	Metal	White	900	500	182	RM 216.00

## DS302 Series D Horizontal Divider Set



### Supplied with



Technology pivot:  
Bottom and Back Panel Measurement  
**16mm** Panel

- 1** LW: Inside Cabinet Width  
Bottom panel width=Inside Cabinet Width -77±0.5
- 2** Bottom panel length=Runner length -10mm  
Back panel height= **142mm**  
Back panel width=Inside Cabinet Width -87±0.5

**Soft Closing**

**50,000**  
time cycle test

**NOTE:**  
Please refer to pg23-24 for Complementary Products and Accessories  
(Item number B1, B2, B9, B15, B18, B21 & B22)

Model	Description	Loading Capacity	Material	Colour	Cabinet Width	Nominal Length	Min. Height	Unit Price
<b>1015 311 145</b>	DS302-450 x 600 Series D	30kg	Metal	White	600	450	182	<b>RM 300.00</b>
<b>1015 311 150</b>	DS302-500 x 600 Series D	30kg	Metal	White	600	500	182	<b>RM 300.00</b>
<b>1115 311 150</b>	DS302-500 x 600/50 Series D	50kg	Metal	White	600	500	182	<b>RM 315.00</b>
<b>1015 311 245</b>	DS302-450 x 900 Series D	30kg	Metal	White	900	450	182	<b>RM 330.00</b>
<b>1015 311 250</b>	DS302-500 x 900 Series D	30kg	Metal	White	900	500	182	<b>RM 330.00</b>
<b>1115 311 250</b>	DS302-500 x 900/50 Series D	50kg	Metal	White	900	500	182	<b>RM 345.00</b>
<b>1015 311 345</b>	DS302-450 x 1200 Series D	30kg	Metal	White	1200	450	182	<b>RM 386.00</b>
<b>1015 311 350</b>	DS302-500 x 1200 Series D	30kg	Metal	White	1200	500	182	<b>RM 386.00</b>
<b>1115 311 350</b>	DS302-500 x 1200/50 Series D	50kg	Metal	White	1200	500	182	<b>RM 401.00</b>

\* All the measurement by millimeter (mm)

## DS306 Standard Inner Drawer System



### Supplied with



DS-TS/450HF  
DS-TS/500HF



DS/30kg-450MM  
DS/30kg-500MM  
DS/50kg-500MM



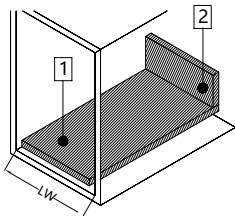
DSA311-600WH  
DSA311-900WH  
DSA311-1200WH



DS-BC/68WH



DSA301WH



Technology pivot:  
Bottom and Back Panel Measurement  
**16mm** Panel

- 1** LW: Inside Cabinet Width  
Bottom panel width=Inside Cabinet Width -77±0.5
- 2** Bottom panel length=Runner length -10mm  
Back panel height= **68mm**  
Back panel width=Inside Cabinet Width -87±0.5

**Soft Closing**

**50,000**  
time cycle test

### NOTE:

Please refer to pg23-24 for Complementary Products and Accessories (Item number B1, B2, B7, B11 & B14)

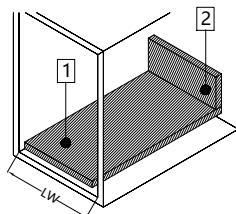
Model	Description	Loading Capacity	Material	Colour	Cabinet Width	Nominal Length	Min. Height	Unit Price
<b>1015 306 061</b>	DS306-450x600WH	30kg	Metal	White	600	450	108	<b>RM 182.00</b>
<b>1015 306 062</b>	DS306-500x600WH	30kg	Metal	White	600	500	108	<b>RM 182.00</b>
<b>1115 306 062</b>	DS306-500x600WH/50	50kg	Metal	White	600	500	108	<b>RM 197.00</b>
<b>1015 306 091</b>	DS306-450x900WH	30kg	Metal	White	900	450	108	<b>RM 201.00</b>
<b>1015 306 092</b>	DS306-500x900WH	30kg	Metal	White	900	500	108	<b>RM 201.00</b>
<b>1115 306 092</b>	DS306-500x900WH/50	50kg	Metal	White	900	500	108	<b>RM 216.00</b>
<b>1015 306 121</b>	DS306-450x1200WH	30kg	Metal	White	1200	450	108	<b>RM 223.00</b>
<b>1015 306 122</b>	DS306-500x1200WH	30kg	Metal	White	1200	500	108	<b>RM 223.00</b>
<b>1115 306 122</b>	DS306-500x1200WH/50	50kg	Metal	White	1200	500	108	<b>RM 238.00</b>



## DS307 Glass High Inner Drawer System



### Supplied with



Technology pivot:  
Bottom and Back Panel Measurement  
**16mm** Panel

- 1 LW: Inside Cabinet Width  
Bottom panel width=Inside Cabinet Width -77±0.5
- 2 Bottom panel length=Runner length -10mm  
Back panel height= **176mm**  
Back panel width=Inside Cabinet Width -87±0.5

**Soft Closing**

**50,000**  
time cycle test

### NOTE:

Please refer to pg23-24 for Complementary Products and Accessories  
(Item number B1, B2, B3, B4, B5, B7, B10, B12 & B16)

Model	Description	Loading Capacity	Material	Colour	Cabinet Width	Nominal Length	Min. Height	Unit Price
<b>1015 307 061</b>	DS307-450x600WH	30kg	Metal	White	600	450	221	<b>RM 414.00</b>
<b>1015 307 062</b>	DS307-500x600WH	30kg	Metal	White	600	500	221	<b>RM 422.00</b>
<b>1115 307 062</b>	DS307-500x600WH/50	50kg	Metal	White	600	500	221	<b>RM 437.00</b>
<b>1015 307 091</b>	DS307-450x900WH	30kg	Metal	White	900	450	221	<b>RM 453.00</b>
<b>1015 307 092</b>	DS307-500x900WH	30kg	Metal	White	900	500	221	<b>RM 461.00</b>
<b>1115 307 092</b>	DS307-500x900WH/50	50kg	Metal	White	900	500	221	<b>RM 476.00</b>

\* All the measurement by millimeter (mm)

## DS308 Rail High Inner Drawer System



### Supplied with



DS-TS/450HF  
DS-TS/500HF



DS/30kg-450MM  
DS/30kg-500MM  
DS/50kg-500MM



DSA311-600WH  
DSA311-900WH  
DSA311-1200WH



DSE450W  
DSE500W



DS352-01-450  
DS352-01-500



DSA305-03-463HW  
DSA305-03-763HW  
DSA305-03-1063HW



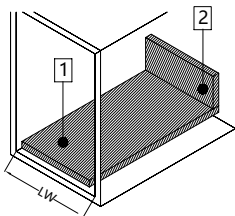
DS-BC/176WH



DSA305WH



DS352-02W



Technology pivot:  
Bottom and Back Panel Measurement  
**16mm** Panel

- 1 LW: Inside Cabinet Width  
Bottom panel width=Inside Cabinet Width  $-77\pm 0.5$
- 2 Bottom panel length=Runner length  $-10$ mm  
Back panel height= **176mm**  
Back panel width=Inside Cabinet Width  $-87\pm 0.5$

**Soft Closing**

**50,000**  
time cycle test

### NOTE:

Please refer to pg23-24 for Complementary Products and Accessories (Item number B1, B2, B4, B5, B6, B7, B10, B13 & B16)

Model	Description	Loading Capacity	Material	Colour	Cabinet Width	Nominal Length	Min. Height	Unit Price
1015 318 061	DS308-450x600WH	30kg	Metal	White	600	450	221	<b>RM 376.00</b>
1015 318 062	DS308-500x600WH	30kg	Metal	White	600	500	221	<b>RM 384.00</b>
1115 318 062	DS308-500x600WH/50	50kg	Metal	White	600	500	221	<b>RM 399.00</b>
1015 318 091	DS308-450x900WH	30kg	Metal	White	900	450	221	<b>RM 399.00</b>
1015 318 092	DS308-500x900WH	30kg	Metal	White	900	500	221	<b>RM 407.00</b>
1115 318 092	DS308-500x900WH/50	50kg	Metal	White	900	500	221	<b>RM 422.00</b>
1015 318 121	DS308-450x1200WH	30kg	Metal	White	1200	450	221	<b>RM 428.00</b>
1015 318 122	DS308-500x1200WH	30kg	Metal	White	1200	500	221	<b>RM 436.00</b>
1115 318 122	DS308-500x1200WH/50	50kg	Metal	White	1200	500	221	<b>RM 451.00</b>

## DS309 Rail High Inner Drawer System



### Supplied with



DS-TS/450HF  
DS-TS/500HF

DS/30kg-450MM  
DS/30kg-500MM  
DS/50kg-500MM

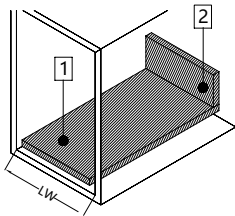
DSA311-600WH  
DSA311-900WH  
DSA311-1200WH

DSA305-03-463HW  
DSA305-03-763HW  
DSA305-03-1063HW

DSR450DWH  
DSR500DWH

DS-BC/176WH

DSA305WH



Technology pivot:  
Bottom and Back Panel Measurement  
**16mm** Panel

- 1 LW: Inside Cabinet Width  
Bottom panel width=Inside Cabinet Width -77±0.5
- 2 Bottom panel length=Runner length -10mm  
Back panel height= **176mm**  
Back panel width=Inside Cabinet Width -87±0.5

**Soft Closing**

**50,000**  
time cycle test

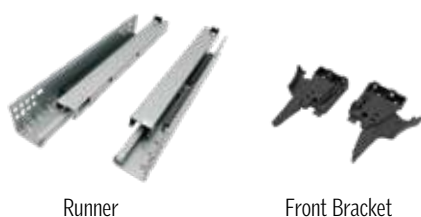
### NOTE:

Please refer to pg23-24 for Complementary Products and Accessories (Item number B1, B2, B6, B7, B8, B13, & B16)

Model	Description	Loading Capacity	Material	Colour	Cabinet Width	Nominal Length	Min. Height	Unit Price
<b>1015 309 061</b>	DS309-450x600WH	30kg	Metal	White	600	450	221	<b>RM 260.00</b>
<b>1015 309 062</b>	DS309-500x600WH	30kg	Metal	White	600	500	221	<b>RM 260.00</b>
<b>1115 309 062</b>	DS309-500x600WH/50	50kg	Metal	White	600	500	221	<b>RM 275.00</b>
<b>1015 309 091</b>	DS309-450x900WH	30kg	Metal	White	900	450	221	<b>RM 283.00</b>
<b>1015 309 092</b>	DS309-500x900WH	30kg	Metal	White	900	500	221	<b>RM 283.00</b>
<b>1115 309 092</b>	DS309-500x900WH/50	50kg	Metal	White	900	500	221	<b>RM 298.00</b>
<b>1015 309 121</b>	DS309-450x1200WH	30kg	Metal	White	1200	450	221	<b>RM 312.00</b>
<b>1015 309 122</b>	DS309-500x1200WH	30kg	Metal	White	1200	500	221	<b>RM 312.00</b>
<b>1115 309 122</b>	DS309-500x1200WH/50	50kg	Metal	White	1200	500	221	<b>RM 327.00</b>

\* All the measurement by millimeter (mm)

## DS31E1 Silent Undermount Runner



**Soft Closing**

**50,000**  
time cycle test

Model	Description	Loading Capacity	Nominal Length	Packing	Unit Price
<b>1016 301 300</b>	DS31E1-300	30kg	300	10 sets/ctn	<b>RM 55.00</b>
<b>1016 301 350</b>	DS31E1-350	30kg	350	10 sets/ctn	<b>RM 55.00</b>
<b>1016 301 400</b>	DS31E1-400	30kg	400	10 sets/ctn	<b>RM 57.00</b>
<b>1016 301 450</b>	DS31E1-450	30kg	450	10 sets/ctn	<b>RM 59.00</b>
<b>1016 301 500</b>	DS31E1-500	30kg	500	10 sets/ctn	<b>RM 61.00</b>
<b>1016 301 550</b>	DS31E1-550	30kg	550	10 sets/ctn	<b>RM 63.00</b>

## DS31E7 Push Open Undermount Runner



**50,000**  
time cycle test

Model	Loading Capacity	Nominal Length	Packing	Unit Price
<b>DS31E7-300</b>	30kg	300	10 sets/ctn	<b>RM 55.00</b>
<b>DS31E7-350</b>	30kg	350	10 sets/ctn	<b>RM 55.00</b>
<b>DS31E7-400</b>	30kg	400	10 sets/ctn	<b>RM 57.00</b>
<b>DS31E7-450</b>	30kg	450	10 sets/ctn	<b>RM 59.00</b>
<b>DS31E7-500</b>	30kg	500	10 sets/ctn	<b>RM 61.00</b>

## DS33H4 Full Extension Synchronized Undermount Runner

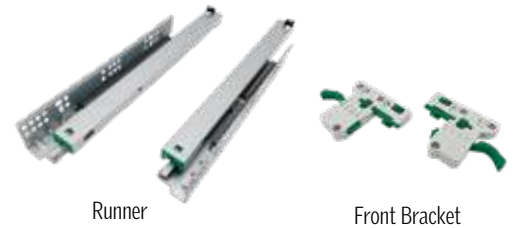


**Soft Closing**

**50,000**  
time cycle test

Model	Description	Loading Capacity	Nominal Length	Packing	Unit Price
<b>1016 334 300</b>	DS33H4-300 (With Locking Device)	30kg	300	10 sets/ctn	<b>RM 51.00</b>
<b>1016 334 350</b>	DS33H4-350 (With Locking Device)	30kg	350	10 sets/ctn	<b>RM 51.00</b>
<b>1016 334 400</b>	DS33H4-400 (With Locking Device)	30kg	400	10 sets/ctn	<b>RM 53.00</b>
<b>1016 334 450</b>	DS33H4-450 (With Locking Device)	30kg	450	10 sets/ctn	<b>RM 55.00</b>
<b>1016 334 500</b>	DS33H4-500 (With Locking Device)	30kg	500	10 sets/ctn	<b>RM 58.00</b>
<b>1016 334 550</b>	DS33H4-550 (With Locking Device)	30kg	550	10 sets/ctn	<b>RM 63.00</b>

## DS35H1 Synchronized Undermount Runner



**Soft Closing**

**50,000**  
time cycle test

Model	Description	Loading Capacity	Nominal Length	Packing	Unit Price
<b>1016 311 300</b>	DS35H1-300	30kg	300	10 sets/ctn	<b>RM 64.00</b>
<b>1016 311 350</b>	DS35H1-350	30kg	350	10 sets/ctn	<b>RM 64.00</b>
<b>1016 311 400</b>	DS35H1-400	30kg	400	10 sets/ctn	<b>RM 66.00</b>
<b>1016 311 450</b>	DS35H1-450	30kg	450	10 sets/ctn	<b>RM 68.00</b>
<b>1016 311 500</b>	DS35H1-500	30kg	500	10 sets/ctn	<b>RM 70.00</b>

## TN45N F/Ext Soft Close Ball Bearing Slide Black



**Soft Closing**

Model	Description	Loading Capacity	Colour	Nominal Length	Packing	Unit Price
<b>TN45-250mm</b>	Soft Close Ball Bearing Slide	25kg	Black	250	15 sets/ctn	<b>RM 26.40</b>
<b>TN45-300mm</b>	Soft Close Ball Bearing Slide	25kg	Black	300	15 sets/ctn	<b>RM 26.40</b>
<b>TN45-350mm</b>	Soft Close Ball Bearing Slide	25kg	Black	350	15 sets/ctn	<b>RM 30.80</b>
<b>TN45-400mm</b>	Soft Close Ball Bearing Slide	25kg	Black	400	15 sets/ctn	<b>RM 35.20</b>
<b>TN45-450mm</b>	Soft Close Ball Bearing Slide	25kg	Black	450	15 sets/ctn	<b>RM 39.60</b>
<b>TN45-500mm</b>	Soft Close Ball Bearing Slide	25kg	Black	500	15 sets/ctn	<b>RM 44.00</b>
<b>TN45-550mm</b>	Soft Close Ball Bearing Slide	25kg	Black	550	15 sets/ctn	<b>RM 48.40</b>
<b>TN45-600mm</b>	Soft Close Ball Bearing Slide	25kg	Black	600	15 sets/ctn	<b>RM 52.80</b>

\* All the measurement by millimeter (mm)

# COMPLEMENTARY PRODUCTS & ACCESSORIES FOR SLIM BOX SERIES

No.	Image	Model	Description	Colour	Unit Price
S1		DS-TS/450X1GS	Side Panel And Cover Cap for Slim Box	Charcoal Grey	RM 60.00
		DS-TS/500X1GS			RM 60.00
S2		DS-TS/450X2GS	Side Panel And Cover Cap for Slim Box	Charcoal Grey	RM 70.00
		DS-TS/500X2GS			RM 70.00
S3		DS-TS/450X3GS	Side Panel And Cover Cap for Slim Box	Charcoal Grey	RM 80.00
		DS-TS/500X3GS			RM 80.00
S4		-	Drawer Slide For Slim Series	-	RM 75.00
		-			
S5		DSF-XM	Front Bracket	-	RM 10.00
S6		DSF-XM/612	Front Connector for Slim Drawer	Charcoal Grey	RM 10.00
S7		DSF-XM/613	Front Bracket	Charcoal Grey	RM 10.00
S8		-	Back Connector Left/Right	Charcoal Grey	RM 10.00
S9		-	Back Connector Left/Right	Charcoal Grey	RM 10.00
S10		-	Back Connector Left/Right	Charcoal Grey	RM 10.00
S11		1019 616 001	DSAQ301CG	Charcoal Grey	RM 13.00
S12		1019 617 001	DSAQ305CG	Charcoal Grey	RM 25.00
S13		1029 617 002	DSAQ315CG-N	Charcoal Grey	RM 26.00
S14		1019 616 002	DSAQ311-549CG	Charcoal Grey	RM 48.00
		1019 616 003	DSAQ311-849CG		RM 75.00
		1019 616 004	DSAQ311-1149CG		RM 83.00
S15		1019 617 007	DSQ352-01-477CG	-	RM 45.00
		1019 617 008	DSQ352-01-777CG		RM 62.00
S16		1019 618 001	DSAQ305-03-477CG	Charcoal Grey	RM 23.00
		1019 618 064	DSAQ305-03-777CG		RM 28.00
		1019 618 063	DSAQ305-03-1070CG		RM 53.00

\* All the measurement by millimeter (mm)

# COMPLEMENTARY PRODUCTS & ACCESSORIES FOR BENNO DRAWER SERIES

No.	Image	Model	Description	Colour	Unit Price
B1		DS-TS/450HF	Drawer Body And Cover Cap	White	RM 55.00
		DS-TS/500HF			RM 55.00
B2		1015 300 451	Drawer Runner Only	-	RM 65.00
		1015 300 501			RM 65.00
		1115 300 501			RM 77.00
B3		1015 307 007	Front Heightening Frosting Glass	-	RM 55.00
		1015 307 008			RM 75.00
B4		1015 307 011	Side Panel Frosting Glass	-	RM 95.00
		1015 307 004			RM 99.00
B5		1015 307 010	Aluminium Slot Left/Right	White	RM 28.00
		1015 307 003			RM 31.00
B6		1015 308 463	Aluminium Handle	White	RM 18.00
		1015 308 763			RM 22.00
		1015 308 063			RM 29.00
B7		1015 306 002	Front Panel	White	RM 45.00
		1015 306 003			RM 60.00
		1015 306 004			RM 91.00
B8		1015 006 053	Square Shape Railing For Inner Drawer	White	RM 18.00
		1015 006 052			RM 19.00
B9		1015 301 501	Front Connector For Standard Drawer	-	RM 10.00

\* All the measurement by millimeter (mm)

# COMPLEMENTARY PRODUCTS & ACCESSORIES FOR BENNO DRAWER SERIES



No.	Image	Model	Description		Colour	Unit Price
B10		1015 307 006	DS352-02W	Front And Rear Glass Clip Left/Right	White	RM 17.00
B11		1015 306 001	DSA301WH	Front Panel Holder	White	RM 22.00
B12		1015 307 111	DSA305N	High Front Panel Holder For Glass	White	RM 35.00
B13		1015 307 001	DSA305WH	High Front Panel Holder For Railing	White	RM 35.00
B14		1015 301 001	DS-BC/68WH	Rear Connector Left/Right	White	RM 7.00
B15		1015 302 003	DS-BC/142WH	Rear Connector Fixing Left/Right	White	RM 10.00
B16		1015 307 002	DS-BC/176WH	Rear Connector Left/Right	White	RM 12.00
B17		1015 304 004	DS-BC/185WH	Rear Connector Left/Right	White	RM 20.00
B18		1015 007 051	DSR450W	Round Shape Railing For DS302	White	RM 10.00
		1015 007 052	DSR500W			
B19		1015 007 054	DSR450B-W	Round Shape Railing For DS304	White	RM 18.00
		1015 007 053	DSR500B-W			
B20		1015 004 060	DS340-450x600	Rails Divider	White	RM 57.00
		1015 003 060	DS340-500x600			RM 57.00
		1015 004 090	DS340-450x900			RM 60.00
		1015 003 090	DS340-500x900			RM 60.00
B21		1015 001 060	DSC350-478	Horizontal Divider	White	RM 57.00
		1015 001 090	DSC350-778			RM 71.00
		1015 001 120	DSC350-1078			RM 100.00
B22		1015 002 001	DSD90W	Vertical Divider	White	RM 16.00

\* All the measurement by millimeter (mm)



## DS210C Stainless Steel Drawer Organizer

Model	<b>1014 022 001</b>
Description	DS210C
Dimension (W x D x H)	280 x 473 x 65
Material	Stainless Steel
Packing	1 set/box, 5 sets/ctn
Unit Price	<b>RM 230.00</b>

## DS210I Stainless Steel Drawer Organizer


Model	<b>1014 022 002</b>
Description	DS210I
Dimension (W x D x H)	530 x 473 x 65
Material	Stainless Steel
Packing	1 set/ctn (2 Boxes)
Unit Price	<b>RM 352.00</b>

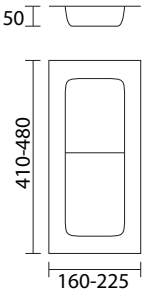
## DS210CC Stainless Steel Drawer Organizer

Model	<b>1014 022 003</b>
Description	DS210CC
Dimension (W x D x H)	820 x 473 x 65
Material	Stainless Steel
Packing	1 set/ctn (2 Boxes)
Unit Price	<b>RM 465.00</b>

\* All the measurement by millimeter (mm)

## C300mm Cutlery Tray (Metallic Grey)




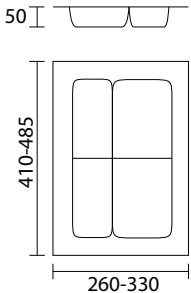


Model	<b>1014 003 030</b>
Description	C300mm
Dimension (W x D x H)	160-225 x 410-480 x 50
Material	Plastic
Colour	Metallic Grey
Packing	20 pcs/ctn
Unit Price	<b>RM 34.00</b>

\* Cuttable edge

## C400mm Cutlery Tray (Metallic Grey)




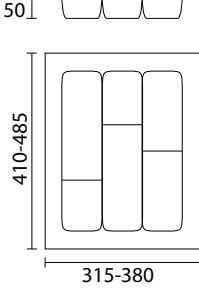


Model	<b>1014 003 040</b>
Description	C400mm
Dimension (W x D x H)	260-330 x 410-485 x 50
Material	Plastic
Colour	Metallic Grey
Packing	20 pcs/ctn
Unit Price	<b>RM 42.00</b>

\* Cuttable edge

## C450mm Cutlery Tray (Metallic Grey)




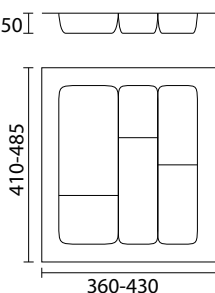


Model	<b>1014 003 045</b>
Description	C450mm
Dimension (W x D x H)	315-380 x 410-485 x 50
Material	Plastic
Colour	Metallic Grey
Packing	20 pcs/ctn
Unit Price	<b>RM 47.00</b>

\* Cuttable edge

## C500mm Cutlery Tray (Metallic Grey)






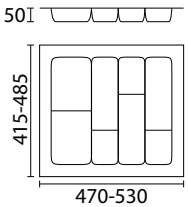
Model	<b>1014 003 050</b>
Description	C500mm
Dimension (W x D x H)	360-430 x 410-485 x 50
Material	Plastic
Colour	Metallic Grey
Packing	20 pcs/ctn
Unit Price	<b>RM 52.00</b>

\* Cuttable edge

## C600mm Cutlery Tray (Metallic Grey)




\* Cuttable edge

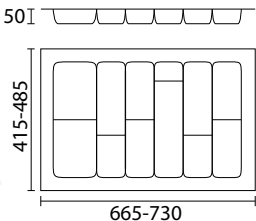


Model	<b>1014 003 060</b>
Description	C600mm
Dimension (W x D x H)	470-530 x 415-485 x 50
Material	Plastic
Colour	Metallic Grey
Packing	20 pcs/ctn
Unit Price	<b>RM 63.00</b>

## C800mm Cutlery Tray (Metallic Grey)




\* Cuttable edge

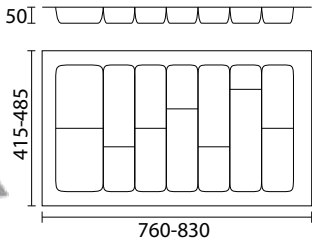


Model	<b>1014 003 080</b>
Description	C800mm
Dimension (W x D x H)	665-730 x 415-485 x 50
Material	Plastic
Colour	Metallic Grey
Packing	20 pcs/ctn
Unit Price	<b>RM 78.00</b>

## C900mm Cutlery Tray (Metallic Grey)


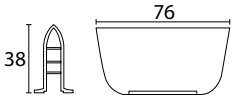


\* Cuttable edge




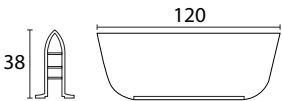
Model	<b>1014 003 090</b>
Description	C900mm
Dimension (W x D x H)	760-830 x 415-485 x 50
Material	Plastic
Colour	Metallic Grey
Packing	20 pcs/ctn
Unit Price	<b>RM 82.00</b>

## C901 Divider Cutlery Tray (Metallic Grey)

Model	<b>1014 003 501</b>
Description	C901
Dimension (W x H)	76 x 38
Material	Plastic
Colour	Metallic Grey
Unit Price	<b>RM 2.00</b>

## C902 Divider Cutlery Tray (Metallic Grey)

Model	<b>1014 003 502</b>
Description	C902
Dimension (W x H)	120 x 38
Material	Plastic
Colour	Metallic Grey
Unit Price	<b>RM 2.00</b>

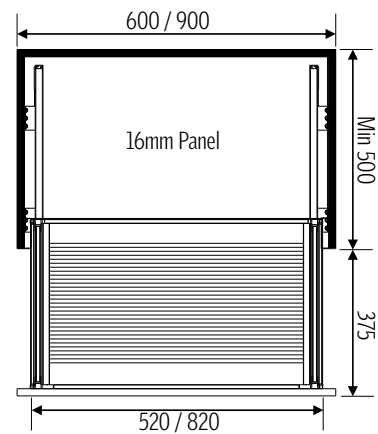
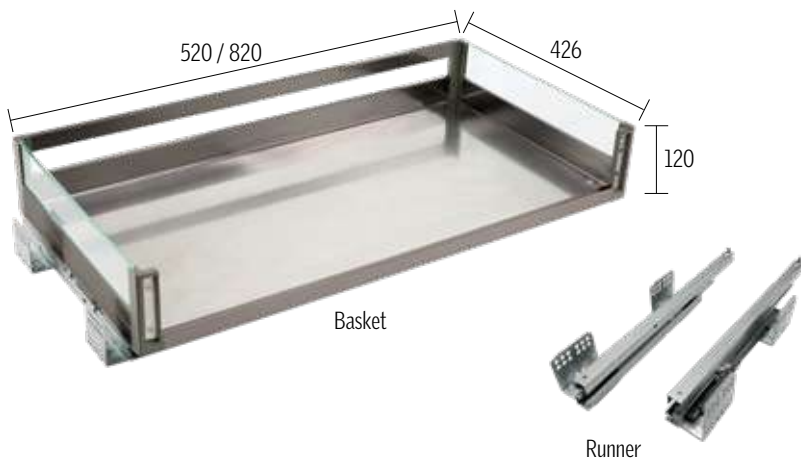
\* All the measurement by millimeter (mm)



**PREMIUM STORAGE SERIES**

**HAU2S<sup>®</sup>**

## Aluminium 3 Side Pull Out Basket

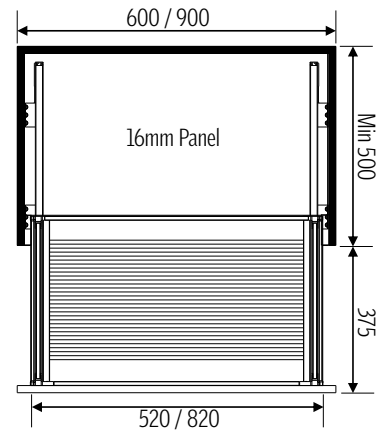
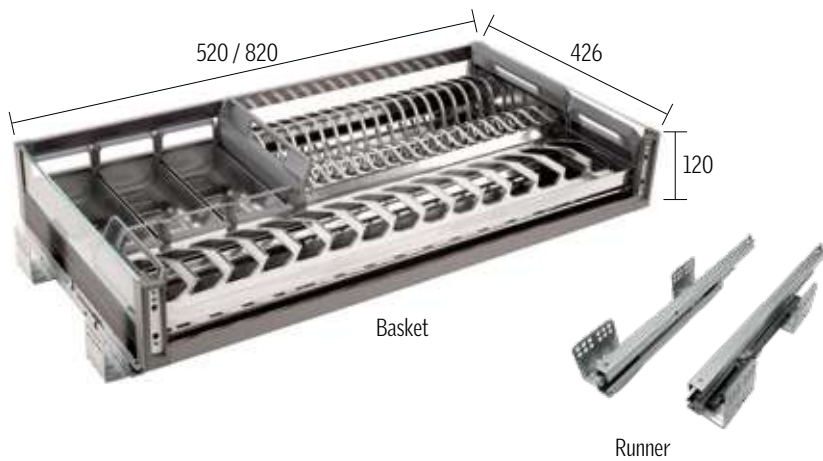


**Soft Closing**

Model	Loading Capacity	Material	Cabinet Width	Dimension (W x D x H)	Packing	Unit Price
<b>HBP218960M</b>	25kg	Aluminium + Tempered Glass	600	564 x 435 x 168	1 set/ctn	<b>RM 381.00</b>
<b>HBP218990M</b>	25kg	Aluminium + Tempered Glass	900	864 x 435 x 168	1 set/ctn	<b>RM 423.00</b>

\* All the measurement by millimeter (mm)

## Aluminium 3 Side Multifunction Pull Out Basket

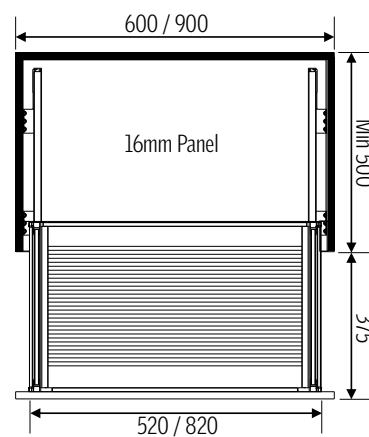
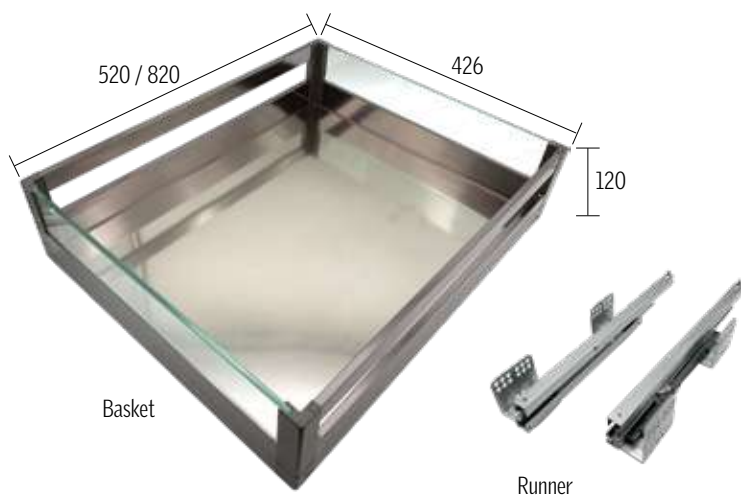


\* All the measurement by millimeter (mm)



Model	Loading Capacity	Material	Cabinet Width	Dimension (W x D x H)	Packing	Unit Price
<b>HBP217860M</b>	25kg	Aluminium + Tempered Glass	600	564 x 435 x 168	1 set/ctn	<b>RM 525.00</b>
<b>HBP217890M</b>	25kg	Aluminium + Tempered Glass	900	864 x 435 x 168	1 set/ctn	<b>RM 610.00</b>

## Aluminium 4 Side Pull Out Basket

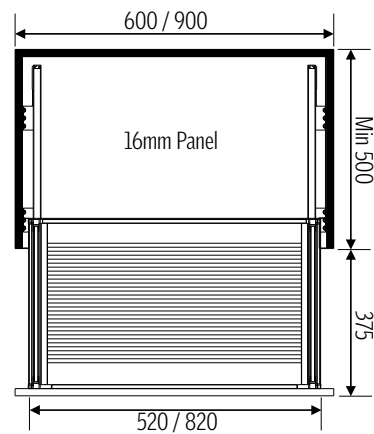
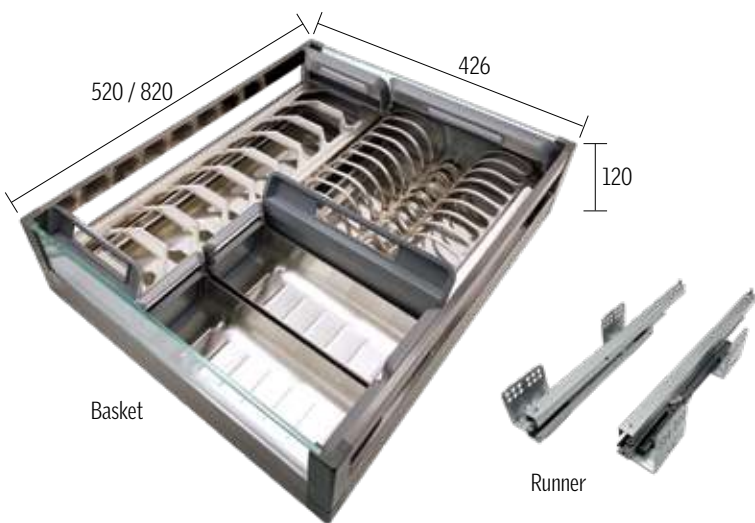


**Soft Closing**

Model	Loading Capacity	Material	Cabinet Width	Dimension (W x D x H)	Packing	Unit Price
<b>HBP28960M</b>	25kg	Aluminium + Tempered Glass	600	564 x 435 x 168	1 set/ctn	<b>RM 409.00</b>
<b>HBP28990M</b>	25kg	Aluminium + Tempered Glass	900	864 x 435 x 168	1 set/ctn	<b>RM 468.00</b>

\* All the measurement by millimeter (mm)

## Aluminium 4 Side Multifunction Pull Out Basket



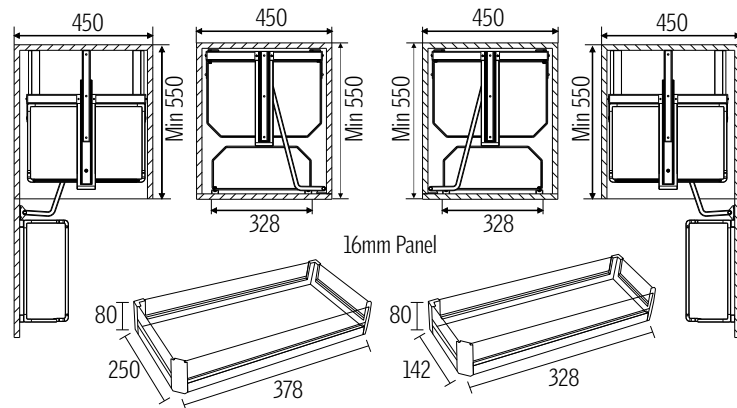
\* All the measurement by millimeter (mm)



Model	Loading Capacity	Material	Cabinet Width	Dimension (W x D x H)	Packing	Unit Price
<b>HBP27860M</b>	25kg	Aluminium + Tempered Glass	600	564 x 435 x 168	1 set/ctn	<b>RM 558.00</b>
<b>HBP27890M</b>	25kg	Aluminium + Tempered Glass	900	864 x 435 x 168	1 set/ctn	<b>RM 667.00</b>



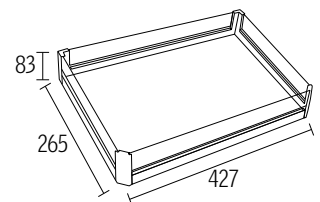
## Aluminium Glass Base Unit Deluxe Larder



Model	Loading Capacity	Material	Cabinet Width	Dimension (W x D x H)	Packing	Unit Price
<b>HBP48445</b>	3kg/Basket (Door) 5kg/Basket (Inner)	Aluminium + Tempered Glass	450	388 x 500 x 540	1 set/ctn	<b>RM 668.00</b>

\* All the measurement by millimeter (mm)

## Complete Out Magic Corner

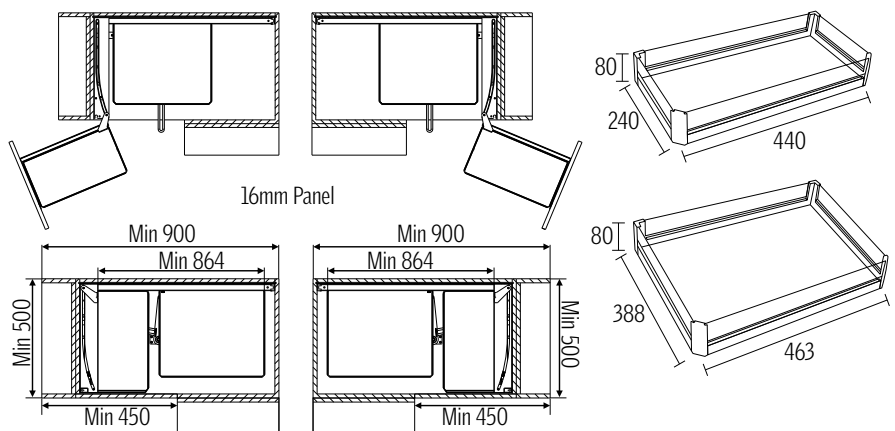


**Soft Closing**

\* All the measurement by millimeter (mm)

Model	Loading Capacity	Material	Cabinet Width	Dimension (W x D x H)	Unit Price
<b>HBPO1806</b>	4kg/Basket	Aluminium + Tempered Glass	900	610 x 460 x 583	<b>RM 1200.00</b>

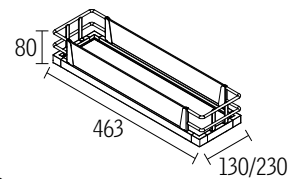
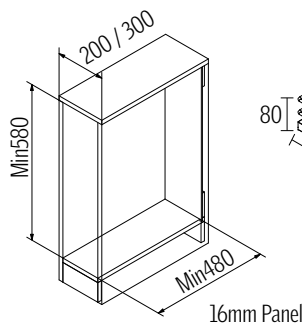
## Aluminium Glass Magic Corner



Model	Loading Capacity	Material	Cabinet Width	Dimension (W x D x H)	Packing	Unit Price
<b>HBP2020L</b>	3kg/Basket (Door)	Aluminium + Tempered Glass	900	864 x 500 x 525	1 set/ctn (2 Boxes)	<b>RM 1150.00</b>
	7kg/Basket (Inner)					
<b>HBP2020R</b>	3kg/Basket (Door)	Aluminium + Tempered Glass	900	864 x 500 x 525	1 set/ctn (2 Boxes)	<b>RM 1150.00</b>
	7kg/Basket (Inner)					

\* All the measurement by millimeter (mm)

## Aluminium Utility 2 Layers Pull Out Basket

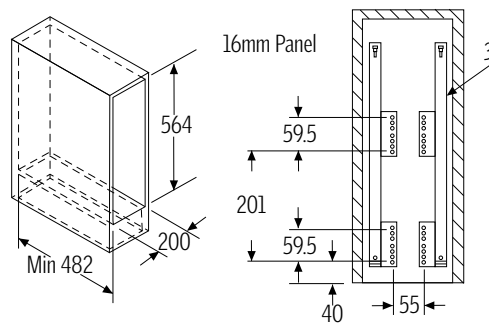
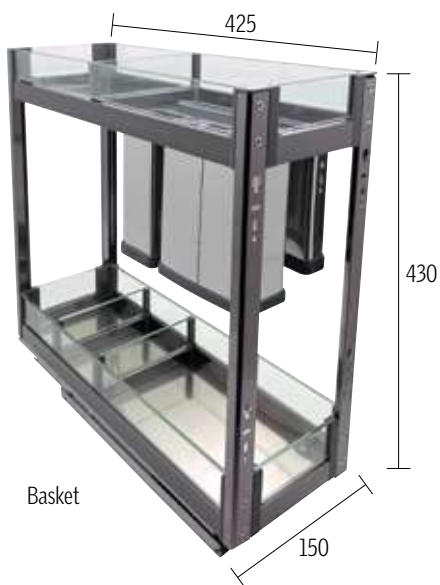


\* All the measurement by millimeter (mm)

**Soft Closing**

Model	Loading Capacity	Material	Cabinet Width	Dimension (W x D x H)	Unit Price
<b>HBPJ05020</b>	15kg	Iron + Glass	200	156 x 476 x 570	<b>RM 305.00</b>
<b>HBPJ05030</b>			300	256 x 476 x 570	<b>RM 335.00</b>

## Aluminium Utility 2 Layers Pull Out Basket

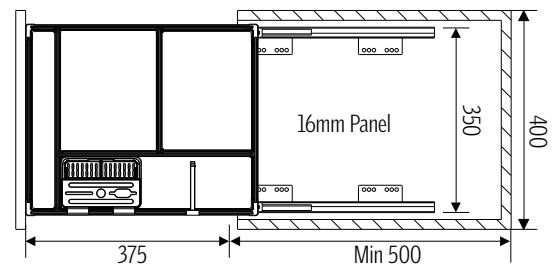
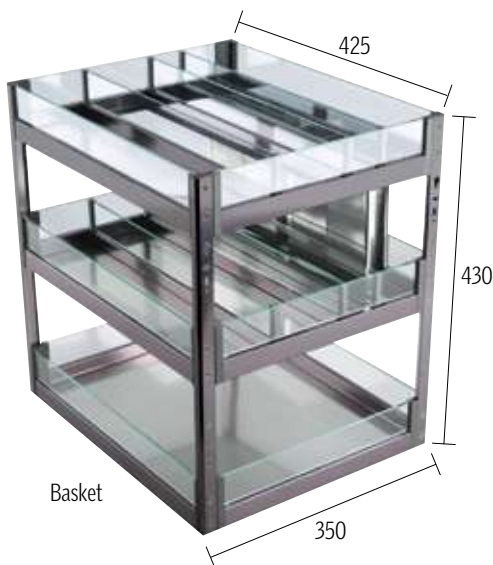


**Soft Closing**

Model	Loading Capacity	Material	Cabinet Width	Dimension (W x D x H)	Packing	Unit Price
<b>HBP47520</b>	25kg	Aluminium + Glass	200	150 x 433 x 475	1 set/ctn	<b>RM 520.00</b>

\* All the measurement by millimeter (mm)

## Aluminium Utility 3 Layers Pull Out Basket

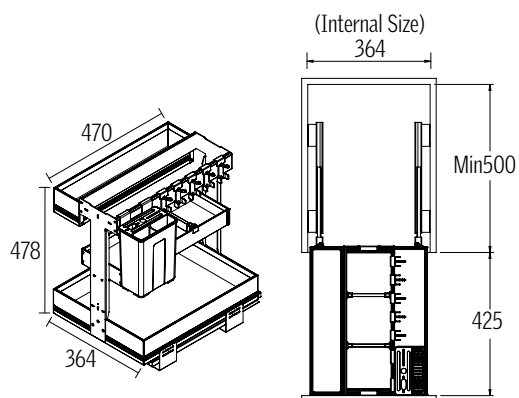


\* All the measurement by millimeter (mm)



Model	Loading Capacity	Material	Cabinet Width	Dimension (W x D x H)	Packing	Unit Price
<b>HBP47540</b>	25kg	Aluminium + Tempered Glass	400	350 x 433 x 475	1 set/ctn	<b>RM 650.00</b>

## Aluminium Utility 3 Layers Pull Out Basket

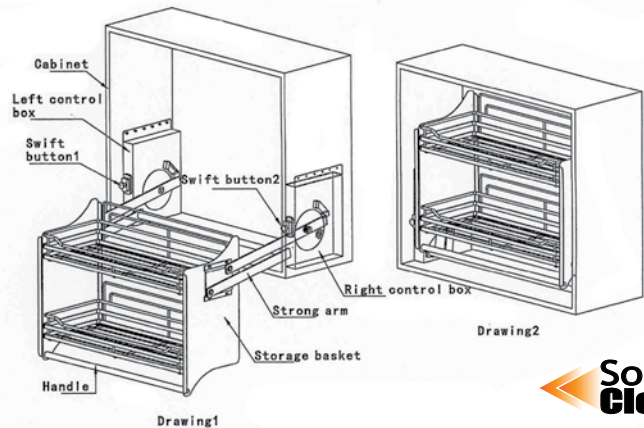


**Soft Closing**

Model	Loading Capacity	Material	Cabinet Width	Dimension (W x D x H)	Unit Price
<b>HBP49540</b>	25kg	Aluminium	400	364 x 470 x 483	<b>RM 668.00</b>

\* All the measurement by millimeter (mm)

## Magic Collector Aluminium Glass Mental Deficiency Functions



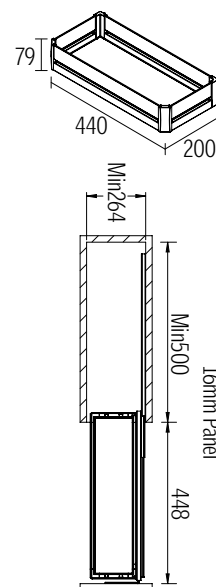
**Soft Closing**

\* All the measurement by millimeter (mm)

Model	Loading Capacity (Adjustable)	Material	Cabinet Width	Dimension (W x D x H)	Packing	Unit Price
<b>B407-600</b>	0-1kg (Pull out two buttons)	Aluminium + Glass	600	560 x 280 x 560	1 set/ctn	<b>RM 1050.00</b>
	1-4kg (Press in left, pull out right)					
	3-6kg (Pull out left, press in right)					
	5-10kg (Press in two buttons)					
<b>B407-900</b>	0-1kg (Pull out two buttons)	Aluminium + Glass	900	860 x 280 x 560	1 set/ctn	<b>RM 1200.00</b>
	1-5kg (Press in left, pull out right)					
	5-7kg (Pull out left, press in right)					
	6-12kg (Press in two buttons)					



## Aluminium Side Mounted Glass Tall Larder

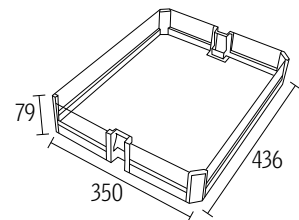


**Soft Closing**

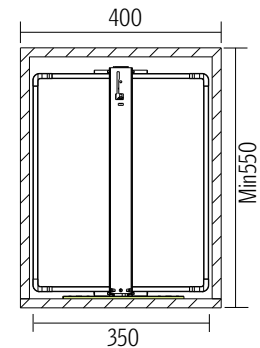
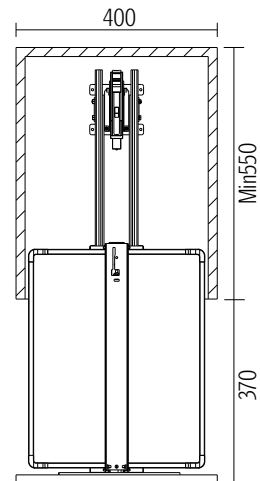
Model	Description	Loading Capacity	Material	Cabinet Width	Min. Internal Height	Unit Price
<b>HBP44630</b>	6 Basket	5kg/Basket	Aluminium + Tempered Glass	300	1768	<b>RM 1028.00</b>

\* All the measurement by millimeter (mm)

## Aluminium Glass Tall Larder



16mm Panel



\* All the measurement by millimeter (mm)



Model	Description	Loading Capacity	Material	Cabinet Width	Internal Height	Packing	Unit Price
<b>HBP43440A</b>	4 Basket	5kg/Basket	Aluminium + Tempered Glass	400	1150-1450	1 set/ctn (3 Boxes)	<b>RM 1250.00</b>
<b>HBP43640AH</b>	6 Basket	5kg/Basket	Aluminium + Tempered Glass	400	1850-2150	1 set/ctn (3 Boxes)	<b>RM 1650.00</b>

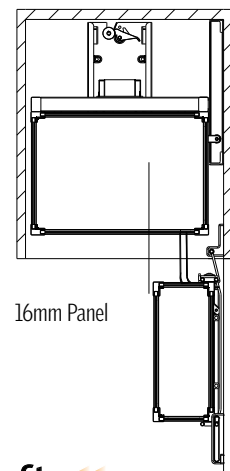
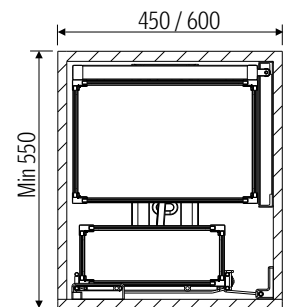
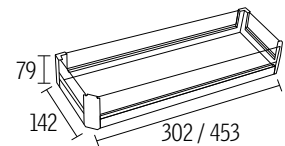
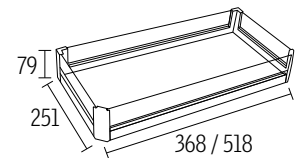
## Aluminium Glass Deluxe Larder



Inner Basket



Door Basket



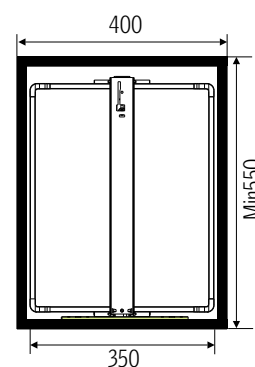
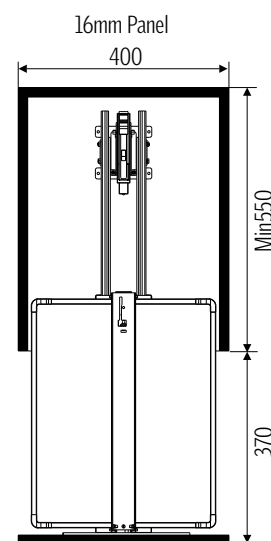
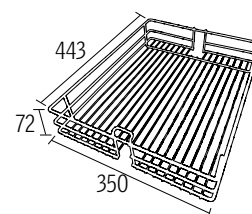
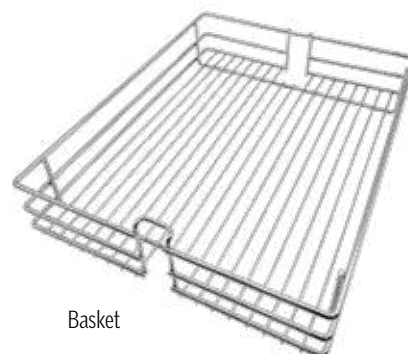
16mm Panel



Model	Description	Loading Capacity	Material	Cabinet Width	Min. Internal Height	Packing	Unit Price
<b>HBP42645M</b>	12 Basket	3kg/Basket (Door)	Aluminium + Tempered Glass	450	1700	1 set/ctn (2 Boxes)	<b>RM 1750.00</b>
		5kg/Basket (Inner)					
<b>HBP42660M</b>	12 Basket	3kg/Basket (Door)	Aluminium + Tempered Glass	600	1700	1 set/ctn (2 Boxes)	<b>RM 2100.00</b>
		5kg/Basket (Inner)					

\* All the measurement by millimeter (mm)

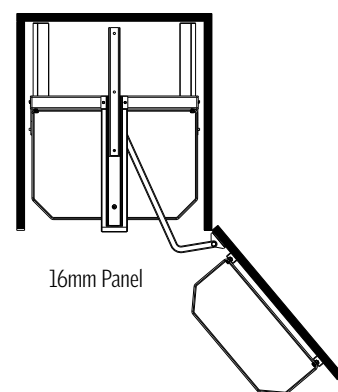
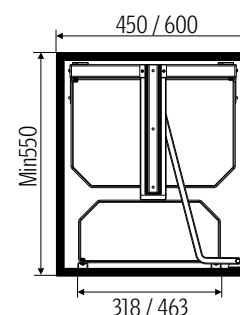
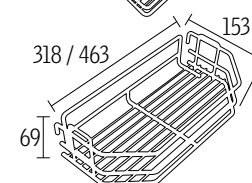
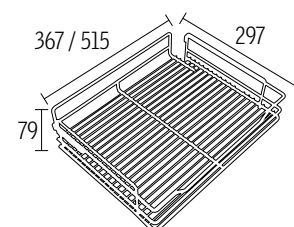
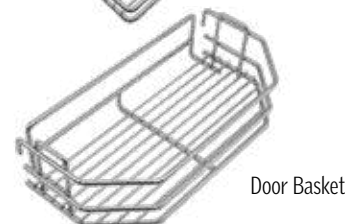
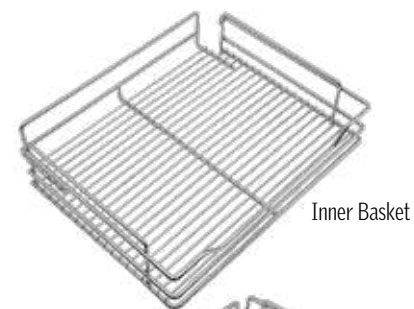
## Soft Close Tall Larder



Model	Description	Loading Capacity	Material	Cabinet Width	Internal Height	Packing	Unit Price
<b>HBC43440</b>	4 Basket	5kg/Basket	Chrome	400	1150-1450	1 set/ctn (3 Boxes)	<b>RM 1023.00</b>
<b>HBC43640H</b>	6 Basket	5kg/Basket	Chrome	400	1850-2150	1 set/ctn (3 Boxes)	<b>RM 1275.00</b>

\* All the measurement by millimeter (mm)

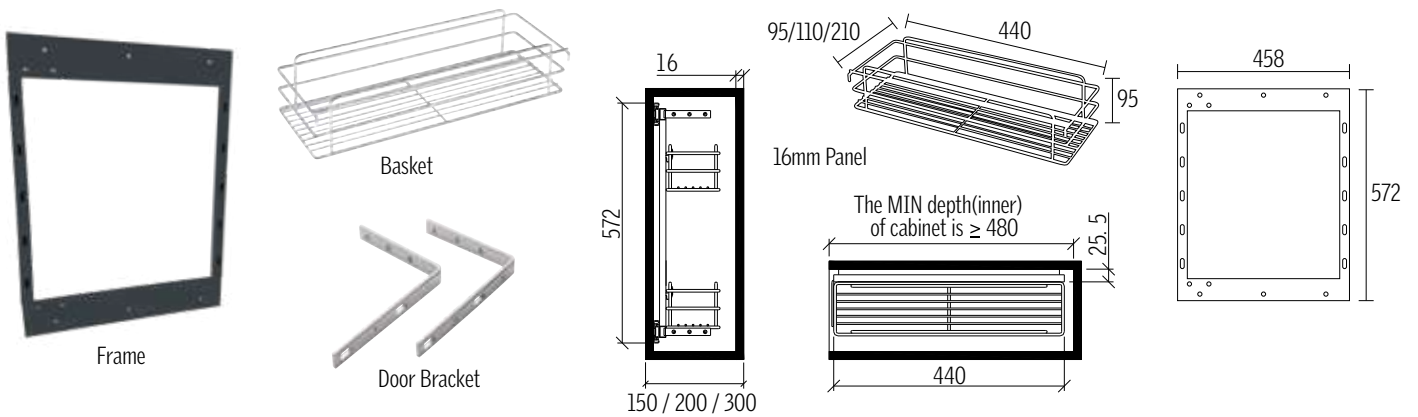
## Wire Deluxe Larder



Model	Description	Loading Capacity	Material	Cabinet Width	Internal Height	Packing	Unit Price
<b>HBC42645H</b>	12 Basket	3kg/Basket (Door)	Chrome	450	1850-2150	1 set/ctn (2 Boxes)	<b>RM 1300.00</b>
		5kg/Basket (Inner)					
<b>HBC42660H</b>	12 Basket	3kg/Basket (Door)	Chrome	600	1850-2150	1 set/ctn (2 Boxes)	<b>RM 1500.00</b>
		5kg/Basket (Inner)					

\* All the measurement by millimeter (mm)

## Soft Close Small Side Mounted Kit



Model	Description	Loading Capacity	Material	Cabinet Width	Dimension (W x D x H)	Packing	Unit Price
<b>BB715A</b>	Side Mounted Kit c/w Ball Bearing Soft Close - Anthracite	5kg/Basket	Chrome	150	111 x 458 x 572	1 set/ctn	<b>RM 234.00</b>
<b>BB720A</b>	Side Mounted Kit c/w Ball Bearing Soft Close - Anthracite	5kg/Basket	Chrome	200	126 x 458 x 572	1 set/ctn	<b>RM 252.00</b>
<b>BB730A</b>	Side Mounted Kit c/w Ball Bearing Soft Close - Anthracite	5kg/Basket	Chrome	300	226 x 458 x 572	1 set/ctn	<b>RM 273.00</b>

\* All the measurement by millimeter (mm)

## Space Genie Pull Out Basket



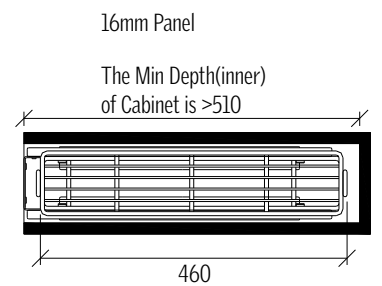
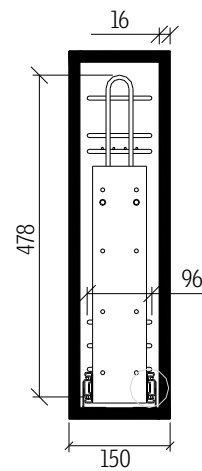
Basket



Roller



Runner



Model	Description	Loading Capacity	Material	Cabinet Width	Dimension (W x D x H)	Packing	Unit Price
<b>B07315A</b>	Space Genie Pull Out Basket -Anthracite	10kg	Chrome	150	96 x 460 x 478	1 set/ctn	<b>RM 225.00</b>

\* All the measurement by millimeter (mm)

## Soft Close Pull Out Basket

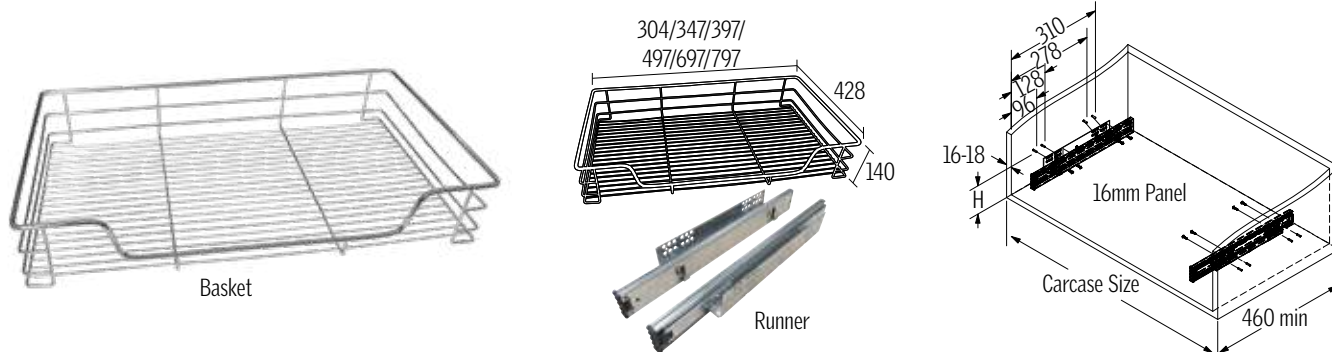


Model	Description	Loading Capacity	Material	Internal (W)	Cabinet (W)	Dimension (W x D x H)	Packing	Unit Price
<b>S-HBJ04040</b>	Pull Out Basket c/w Undermount Runner	35kg	Chrome	368	400	368 x 428 x 184	2 sets/ctn	<b>RM 210.00</b>
<b>S-HBJ04045</b>	Pull Out Basket c/w Undermount Runner	35kg	Chrome	418	450	418 x 428 x 184	2 sets/ctn	<b>RM 213.00</b>
<b>S-HBJ04050</b>	Pull Out Basket c/w Undermount Runner	35kg	Chrome	468	500	468 x 428 x 184	2 sets/ctn	<b>RM 219.00</b>
<b>S-HBJ04060</b>	Pull Out Basket c/w Undermount Runner	35kg	Chrome	568	600	568 x 428 x 184	2 sets/ctn	<b>RM 227.00</b>
<b>S-HBJ04080</b>	Pull Out Basket c/w Undermount Runner	35kg	Chrome	768	800	768 x 428 x 184	2 sets/ctn	<b>RM 247.00</b>
<b>S-HBJ04090</b>	Pull Out Basket c/w Undermount Runner	35kg	Chrome	868	900	868 x 428 x 184	2 sets/ctn	<b>RM 260.00</b>
<b>S-HBJ24040</b>	Pull Out Basket c/w Undermount Runner	35kg	S/Steel	368	400	368 x 428 x 184	2 sets/ctn	<b>RM 265.00</b>
<b>S-HBJ24045</b>	Pull Out Basket c/w Undermount Runner	35kg	S/Steel	418	450	418 x 428 x 184	2 sets/ctn	<b>RM 273.00</b>
<b>S-HBJ24050</b>	Pull Out Basket c/w Undermount Runner	35kg	S/Steel	468	500	468 x 428 x 184	2 sets/ctn	<b>RM 281.00</b>
<b>S-HBJ24060</b>	Pull Out Basket c/w Undermount Runner	35kg	S/Steel	568	600	568 x 428 x 184	2 sets/ctn	<b>RM 299.00</b>
<b>S-HBJ24080</b>	Pull Out Basket c/w Undermount Runner	35kg	S/Steel	768	800	768 x 428 x 184	2 sets/ctn	<b>RM 335.00</b>
<b>S-HBJ24090</b>	Pull Out Basket c/w Undermount Runner	35kg	S/Steel	868	900	868 x 428 x 184	2 sets/ctn	<b>RM 357.00</b>

\* All the measurement by millimeter (mm)



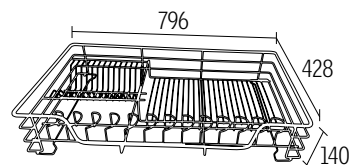
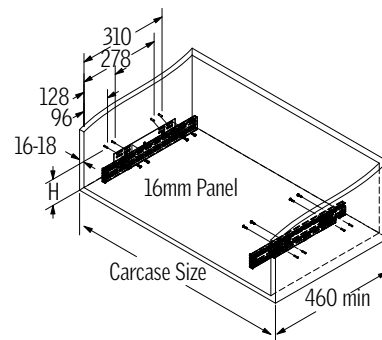
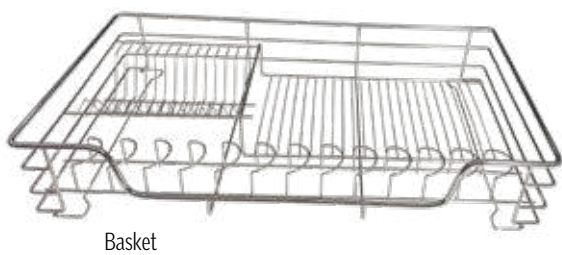
## Pull Out Basket



Model	Description	Loading Capacity	Material	Internal (W)	Cabinet (W)	Dimension (W x D x H)	Packing	Unit Price
<b>HBJ04040</b>	Pull Out Basket & Runner	25kg	Chrome	368	400	368 x 428 x 151	2 sets/ctn	<b>RM 136.00</b>
<b>HBJ04045</b>	Pull Out Basket & Runner	25kg	Chrome	418	450	418 x 428 x 151	2 sets/ctn	<b>RM 140.00</b>
<b>HBJ04050</b>	Pull Out Basket & Runner	25kg	Chrome	468	500	468 x 428 x 151	2 sets/ctn	<b>RM 146.00</b>
<b>HBJ04060</b>	Pull Out Basket & Runner	25kg	Chrome	568	600	568 x 428 x 151	2 sets/ctn	<b>RM 155.00</b>
<b>HBJ04080</b>	Pull Out Basket & Runner	25kg	Chrome	768	800	768 x 428 x 151	2 sets/ctn	<b>RM 175.00</b>
<b>HBJ04090</b>	Pull Out Basket & Runner	25kg	Chrome	868	900	868 x 428 x 151	2 sets/ctn	<b>RM 186.00</b>
<b>HBJ24040</b>	Pull Out Basket & Runner	25kg	S/Steel	368	400	368 x 428 x 151	2 sets/ctn	<b>RM 191.00</b>
<b>HBJ24045</b>	Pull Out Basket & Runner	25kg	S/Steel	418	450	418 x 428 x 151	2 sets/ctn	<b>RM 200.00</b>
<b>HBJ24050</b>	Pull Out Basket & Runner	25kg	S/Steel	468	500	468 x 428 x 151	2 sets/ctn	<b>RM 208.00</b>
<b>HBJ24060</b>	Pull Out Basket & Runner	25kg	S/Steel	568	600	568 x 428 x 151	2 sets/ctn	<b>RM 226.00</b>
<b>HBJ24080</b>	Pull Out Basket & Runner	25kg	S/Steel	768	800	768 x 428 x 151	2 sets/ctn	<b>RM 261.00</b>
<b>HBJ24090</b>	Pull Out Basket & Runner	25kg	S/Steel	868	900	868 x 428 x 151	2 sets/ctn	<b>RM 285.00</b>

\* All the measurement by millimeter (mm)

## Soft Close Bowl And Plate Pull Out Basket

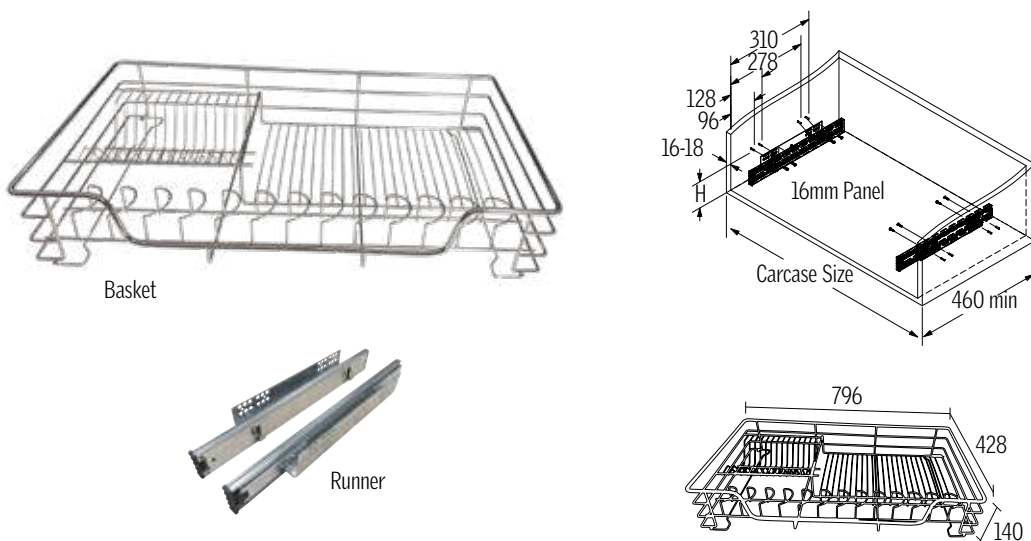


\* All the measurement by millimeter (mm)



Model	Description	Loading Capacity	Material	Internal (W)	Cabinet (W)	Dimension (W x D x H)	Packing	Unit Price
S-HBJ09090	Bowl & Plate c/w Undermount runner	35kg	Chrome	868	900	868 x 428 x 184	2 sets/ctn	<b>RM 328.00</b>
S-HBJ29090	Bowl & Plate c/w Undermount runner	35kg	S/Steel	868	900	868 x 428 x 184	2 sets/ctn	<b>RM 449.00</b>

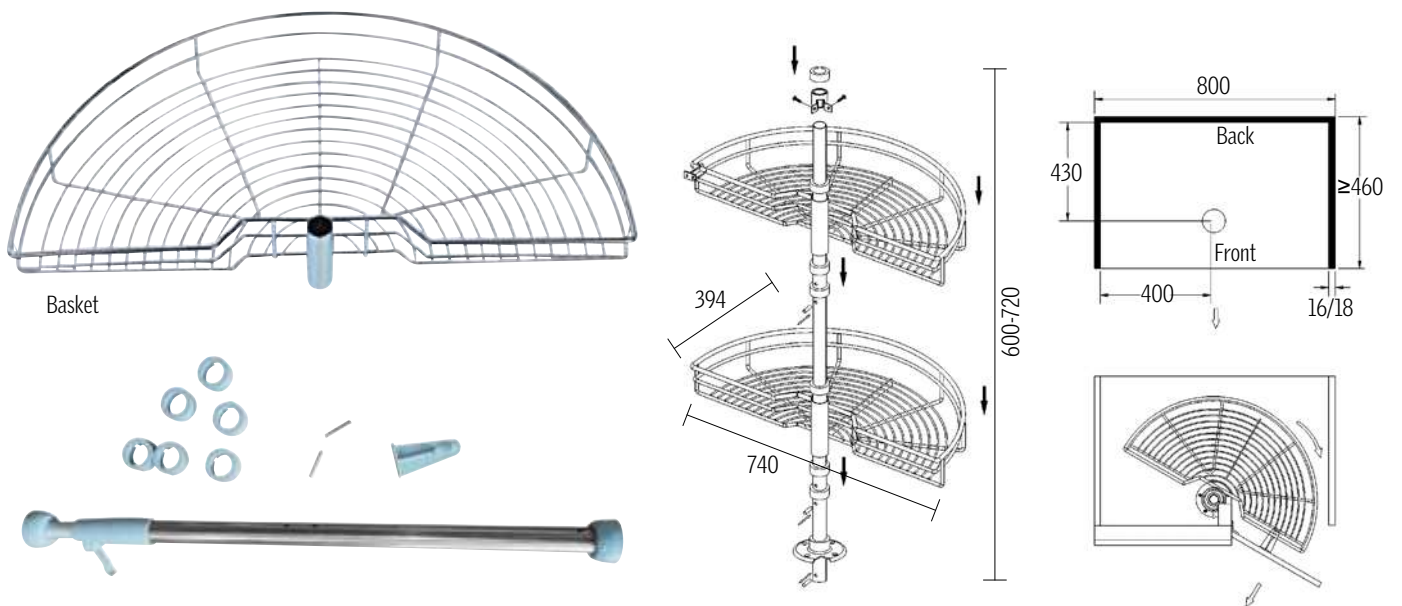
## Bowl And Plate Pull Out Basket



Model	Description	Loading Capacity	Material	Internal (W)	Cabinet (W)	Dimension (W x D x H)	Packing	Unit Price
<b>HBJ09090</b>	Bowl & Plate Basket c/w Runner	20kg	Chrome	868	900	868 x 428 x 214	2 sets/ctn	<b>RM 255.00</b>
<b>HBJ29090</b>	Bowl & Plate Basket c/w Runner	20kg	S/Steel	868	900	868 x 428 x 214	2 sets/ctn	<b>RM 376.00</b>
<b>HDJ-T</b>	Tray for Bowl & Plate Basket	-	-	-	-	-	-	<b>RM 32.00</b>

\* All the measurement by millimeter (mm)

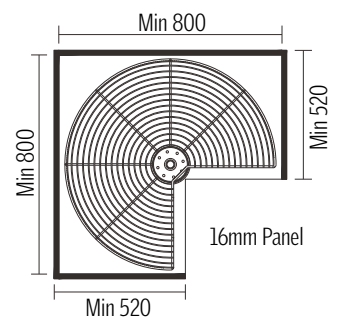
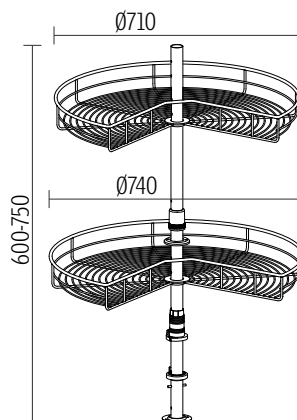
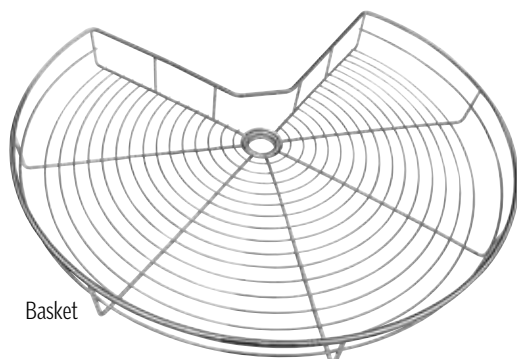
## 180° Swivel Basket Kit



\* All the measurement by millimeter (mm)

Model	Description	Loading Capacity	Material	Cabinet Width	Dimension (W x D x H)	Packing	Unit Price
2021 018 080	B08100 180° Swivel Basket Kit	5kg/Basket	Chrome	800	740 x 394 x 600-720	1 set/ctn	<b>RM 300.00</b>

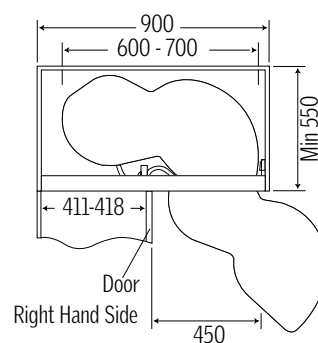
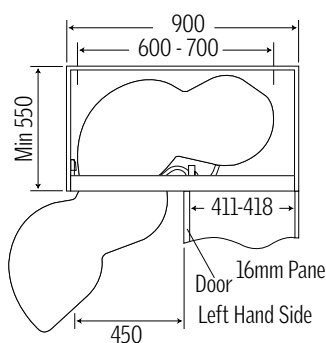
## 270° Pie-Cut Swivel Basket Kit



Model	Description	Loading Capacity	Material	Cabinet (W)	Dimension (W x H)	Packing	Unit Price
2021 020 080	B08200 270° Pie-Cut Swivel Basket Kit	5kg/basket	Chrome	800	710 x 600-750 & 740 x 600-750	1 set/ctn	<b>RM 360.00</b>

\* All the measurement by millimeter (mm)

## Soft Close Swing Tray

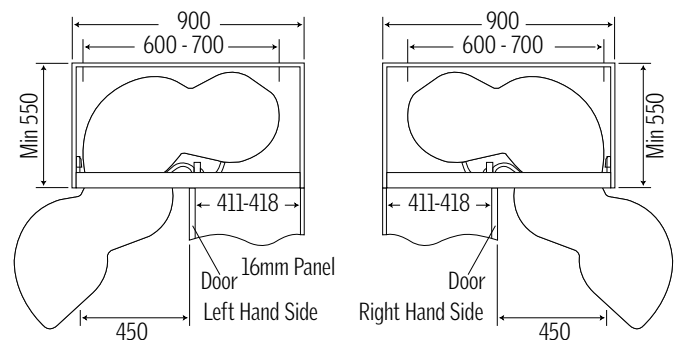
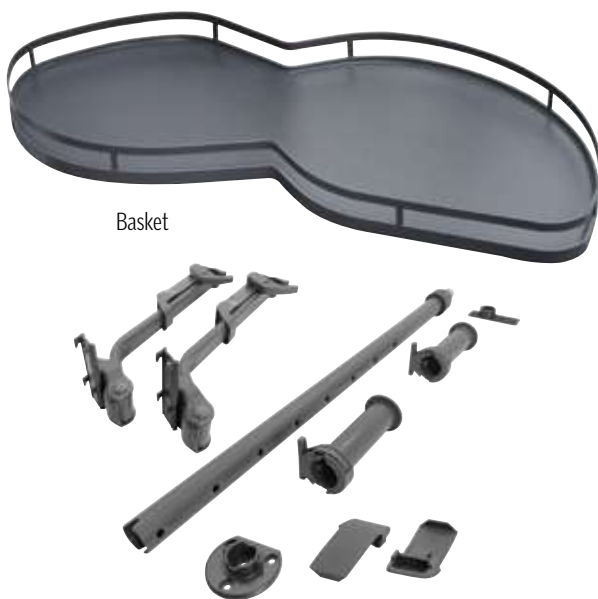


\* All the measurement by millimeter (mm)



Model	Description	Loading Capacity	Material	Cabinet (W)	Dimension (W x D x H)	Packing	Unit Price
2021 044 090	F101009 Swing Trays Left	10kg/Basket	Chrome	900	815 x 420 x 650-730	1 set/ctn	<b>RM 900.00</b>
2021 045 090	F101010 Swing Trays Right	10kg/Basket	Chrome	900	815 x 420 x 650-730	1 set/ctn	<b>RM 900.00</b>

## Soft Close Swing Tray

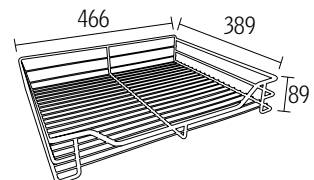
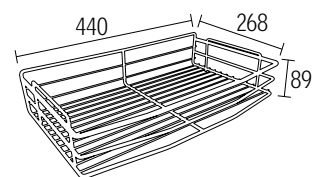
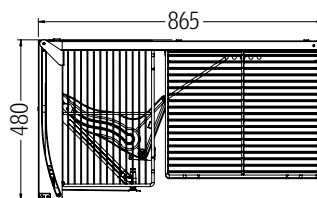
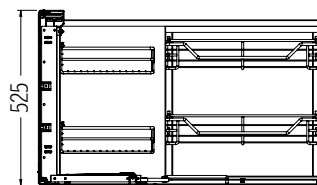
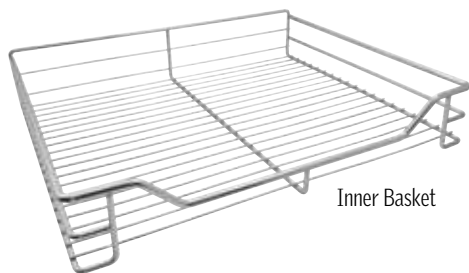
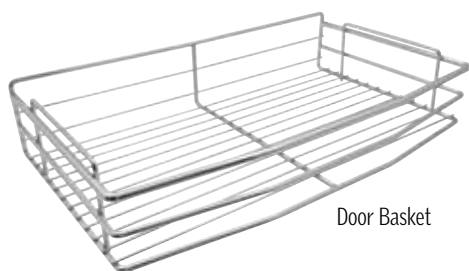


**Soft Closing**

Model	Description	Loading Capacity	Material	Cabinet Width	Dimension (W x D x H)	Packing	Unit Price
<b>F201009</b>	F201009 DG Swing Trays Left	10kg/Basket	Charcoal Grey	900	815 x 420 x 650-730	1 set/ctn	<b>RM 900.00</b>
<b>F201010</b>	F201010 DG Grey Swing Trays Right	10kg/Basket	Charcoal Grey	900	815 x 420 x 650-730	1 set/ctn	<b>RM 900.00</b>

\* All the measurement by millimeter (mm)

## Soft Close Concord Corner Kit



Model	Description	Loading Capacity	Material	Cabinet Width	Dimension (W x D x H)	Packing	Unit Price
<b>B04031</b>	Concord Corner Left	5kg/Basket (Door)	Chrome	900	865x 500 x 525	1 set/ctn	<b>RM 1028.00</b>
		7kg/Basket (Inner)					
<b>B04032</b>	Concord Corner Right	5kg/Basket (Door)	Chrome	900	865x 500 x 525	1 set/ctn	<b>RM 1028.00</b>
		7kg/Basket (Inner)					

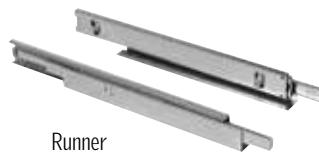
\* All the measurement by millimeter (mm)



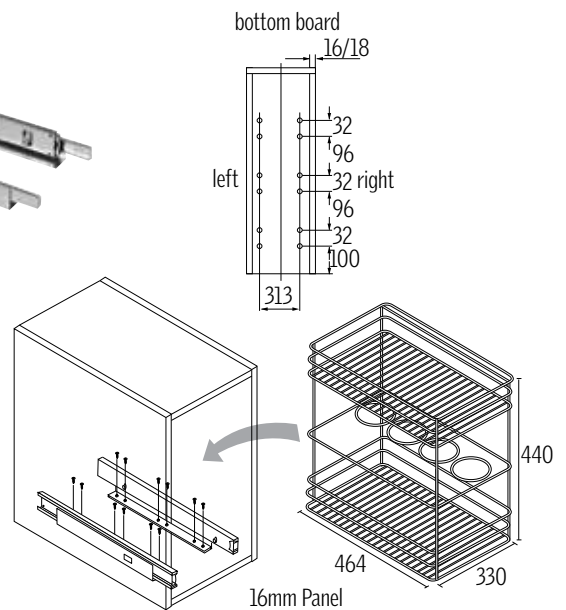
## 2 Layer Utility Basket



Basket



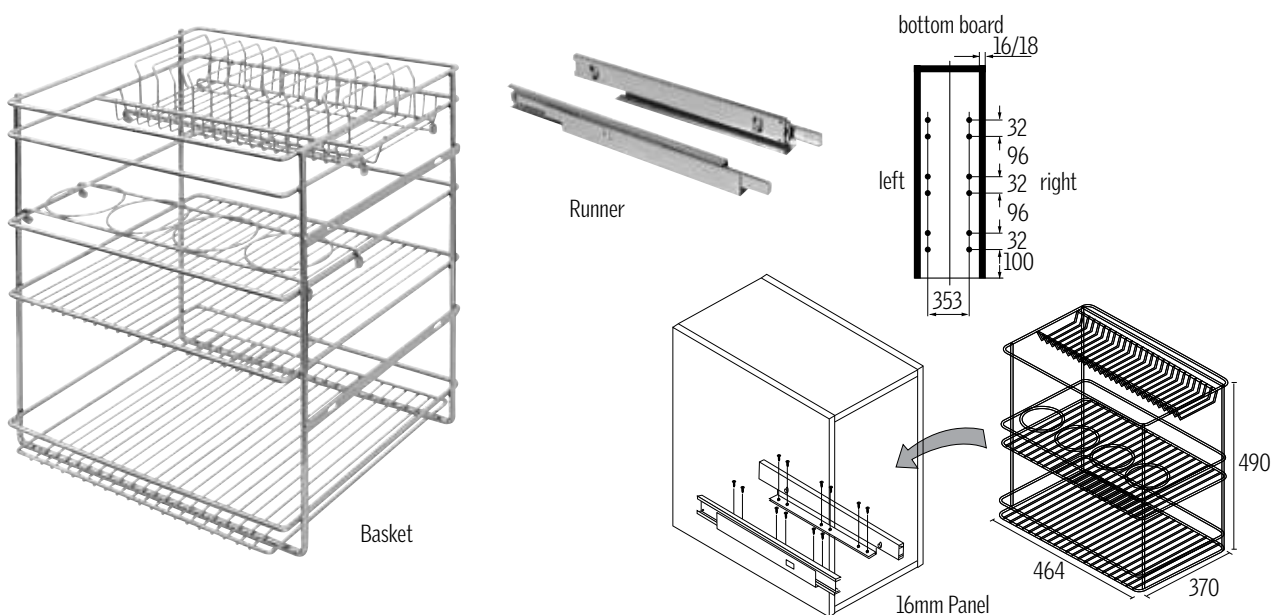
Runner



Model	Description	Loading Capacity	Material	Cabinet (W)	Dimension (W x D x H)	Packing	Unit Price
2021 008 040	A09921 Two Layer Utility Basket	10kg	Chrome	400	330 x 464 x 443	1 set/ctn	<b>RM 300.00</b>

\* All the measurement by millimeter (mm)

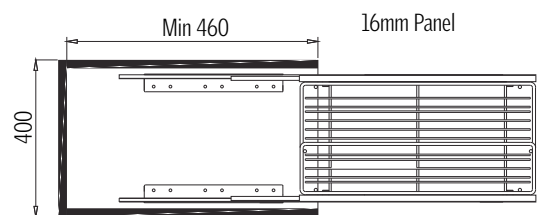
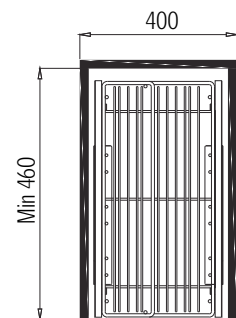
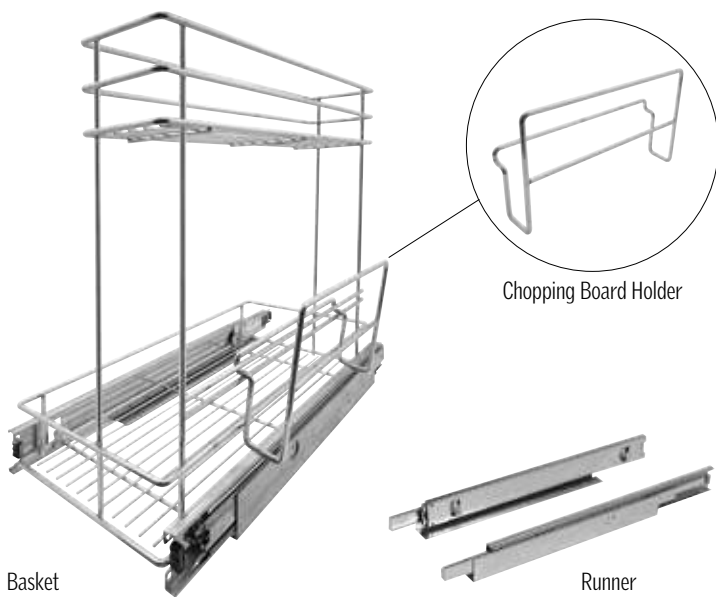
## 3 Layer Utility Basket



\* All the measurement by millimeter (mm)

Model	Description	Loading Capacity	Material	Cabinet Width	Dimension (W x D x H)	Packing	Unit Price
2021 008 045	A09931 Three Layer Utility Basket	10kg	Chrome	450	370 x 464 x 494	1 set/ctn	<b>RM 373.00</b>

## Cleaning Material Pull Out Basket



Model	Description	Loading Capacity	Material	Cabinet Width	Dimension (W x D x H)	Packing	Unit Price
2021 006 030	A09061 Cleaning Material Pull Out Basket	10kg	Chrome	400	215 x 450 x 398	2 sets/ctn	<b>RM 190.00</b>

\* All the measurement by millimeter (mm)

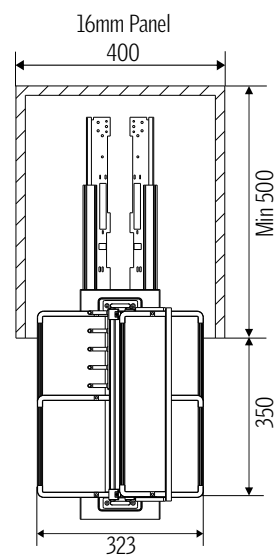
## Soft Close Cleaning Material Basket



Basket



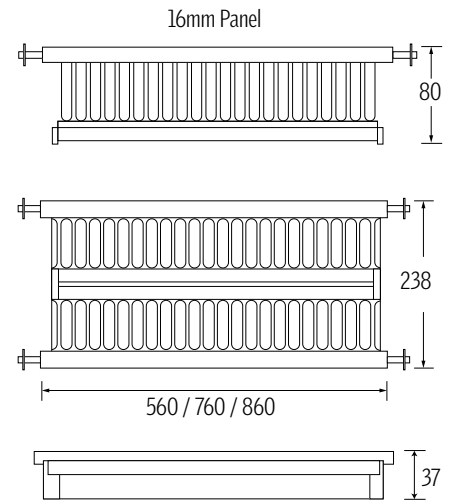
Runner



Model	Description	Loading Capacity	Material	Cabinet Width	Dimension (W x D x H)	Packing	Unit Price
<b>HBC52535H</b>	Cleaning Material Pull Out Basket	5kg (Upper Basket)	Aluminium + ABS + Stainless Steel	400	323 x 442 x 513	1 set/ctn	<b>RM 595.00</b>
		5kg (Middle Basket)					
		7kg (Lower Basket)					

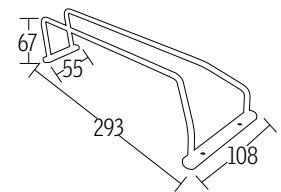
\* All the measurement by millimeter (mm)

## Wall Unit Inoxmatic Dish Rack



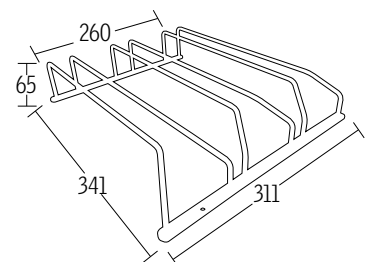
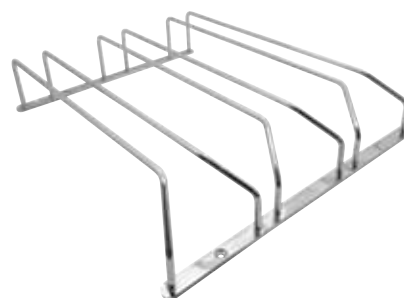
Model	Description	Loading Capacity	Material	Cabinet Width	Dimension (W x D x H)	Packing	Unit Price
<b>SB3604-600</b>	SB3604-600mm Inoxmatic Dish Rack	20kg	S/Steel	600	560 x 238 x 80	1 set/box, 5 Boxes/ctn	<b>RM 120.00</b>
<b>SB3604-800</b>	SB3604-800mm Inoxmatic Dish Rack	20kg	S/Steel	800	760 x 238 x 80	1 set/box, 5 Boxes/ctn	<b>RM 146.00</b>
<b>SB3604-900</b>	SB3604-900mm Inoxmatic Dish Rack	20kg	S/Steel	900	860 x 238 x 80	1 set/box, 5 Boxes/ctn	<b>RM 159.00</b>

## Single Wine Glass Rack



Model	Material	Dimension (W x D x H)	Unit Price
<b>G100D</b>	Metal + Chrome	108 x 293 x 67	<b>RM 15.00</b>

## 3 Rows Wine Glass Rack



Model	Material	Dimension (W x D x H)	Unit Price
<b>G300</b>	Metal + Chrome	311 x 341 x 65	<b>RM 35.00</b>

\* All the measurement by millimeter (mm)

## Stainless Steel Free Standing Dish Rack



Model	<b>HB9901A</b>
Dimension (W x D x H)	485/665 x 370 x 440
Material	Stainless Steel + Aluminium
Packing	1 set/ctn
Unit Price	<b>RM 520.00</b>

## D060 Stainless Steel Free Standing Dish Rack 600mm



Model	<b>D060+FA1004/5</b>
Dimension (W x D x H)	590 x 252 x 387
Material	Stainless Steel
Packing	1 set/box, 5 sets/ctn
Unit Price	<b>RM 265.00</b>

Remark : c/w Chopsticks Holder (FA1004) - 1pc, Knife Holder (FA1005) - 1pc

## Additional Add On



Model	Description	Material	Dimension (W x D x H)	Packing	Unit Price
<b>FA1004</b>	Chopsticks Holder	S/Steel	155 x 55 x 160	1 pc/box	<b>RM 26.00</b>
<b>FA1005</b>	Knife Holder	S/Steel	155 x 55 x 160	1 pc/box	<b>RM 26.00</b>



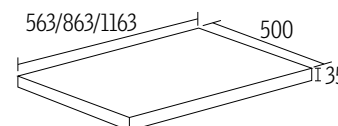
**HAU2S**<sup>®</sup>

**LIGHTING SERIES**

## Black Aluminium Glass Shelf LED Light

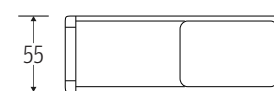
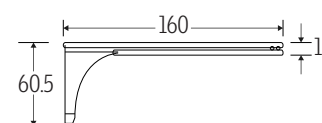


Remark:  
Not include glass ( $\leq 4\text{mm}$ )



Model	Description	Colour Temperature	Wattage	Material	Cabinet Width	Dimension (W x D x H)	Packing	Unit Price
<b>L4024-564</b>	Glass Shelf LED Light (Not include LED Driver)	4500k	5.2 W	Aluminium	600	563 x 500 x 35	1 set/ctn	<b>RM 245.00</b>
<b>L4024-864</b>	Glass Shelf LED Light (Not include LED Driver)	4500k	8.2 W	Aluminium	900	863 x 500 x 35	1 set/ctn	<b>RM 295.00</b>
<b>L4024-1164</b>	Glass Shelf LED Light (Not include LED Driver)	4500k	10.6 W	Aluminium	1200	1163 x 500 x 35	1 set/ctn	<b>RM 345.00</b>

## LED Touch Sensor Light (Under Cabinet Lighting)

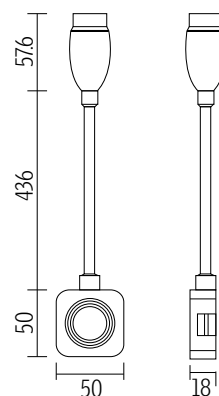


Model	Description	Colour Temperature	Wattage	Dimension (W x D x H)	Packing	Unit Price
<b>L3043105</b>	LED Touch Sensor -Under Cabinet Application (Not include LED Driver)	4500k	3.5W	160 x 55 x 60.5	1 set/box	<b>RM 95.00</b>

\* All the measurement by millimeter (mm)

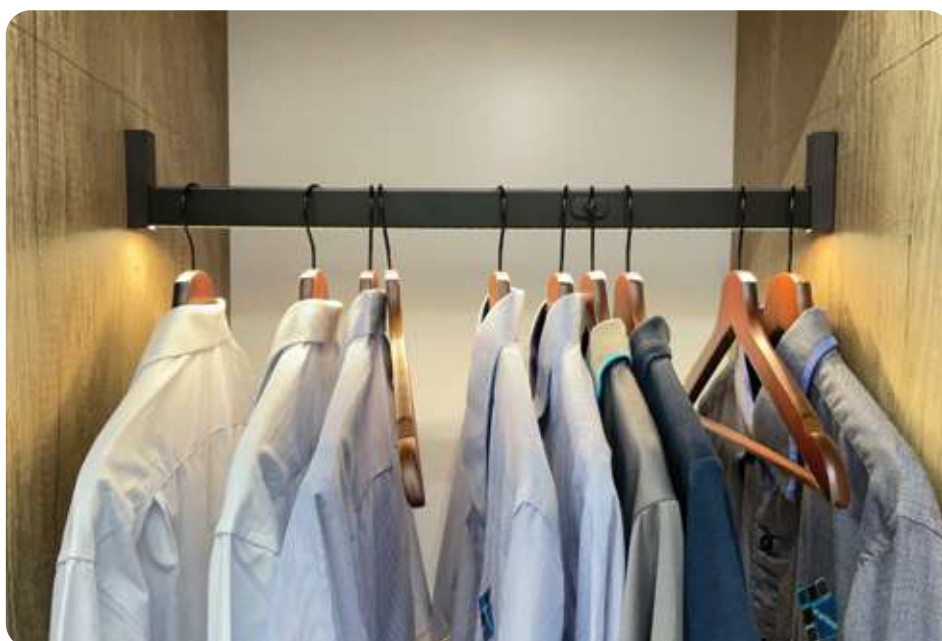


## Bedroom Flexible Side Lamp

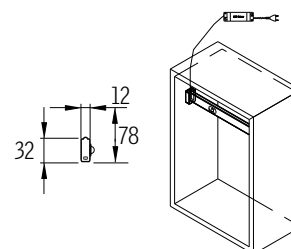
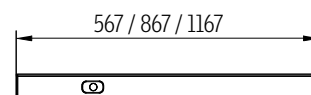


Model	Description	Colour Temperature	Wattage	Dimension (W x D x H)	Packing	Unit Price
<b>B1005006</b>	Bedroom Flexible Side Lamp	4500k	2.0 W	493 x 50 x 18	1 pc/box	<b>RM 182.00</b>

## LED Hanging Rod PIR Sensor Light



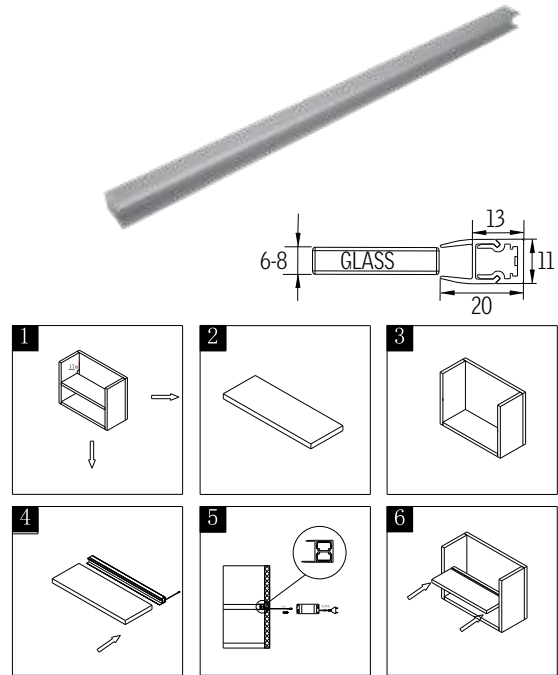
\* Cuttable LED light



Model	Description	Colour Temperature	Wattage	Cabinet Width	Dimension (W x D x H)	Packing	Unit Price
<b>HL17116-564</b>	LED Hanging Rod PIR Sensor Light (Not include LED Driver)	4000k	6.0 W	600	567 x 12 x 78	1 pc/box, 28 pcs/ctn	<b>RM 142.00</b>
<b>HL17116-864</b>	LED Hanging Rod PIR Sensor Light (Not include LED Driver)	4000k	9.0 W	900	867 x 12 x 78	1 pc/box, 28 pcs/ctn	<b>RM 171.00</b>
<b>HL17116-1164</b>	LED Hanging Rod PIR Sensor Light (Not include LED Driver)	4000k	12.0 W	1200	1167 x 12 x 78	1 pc/box, 28 pcs/ctn	<b>RM 195.00</b>

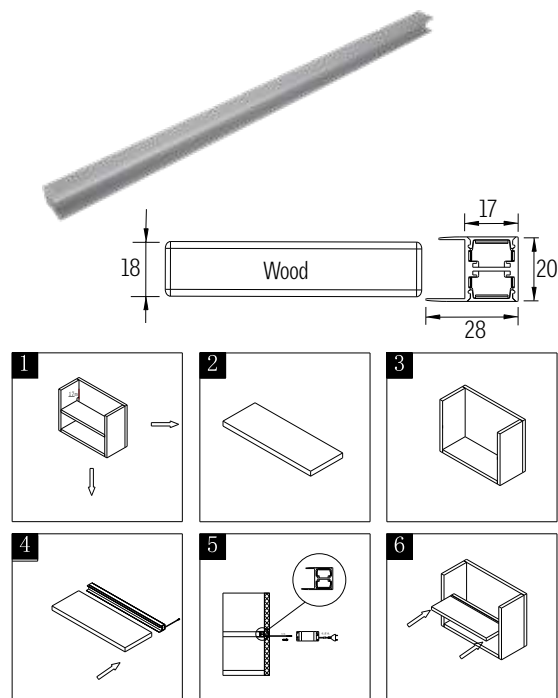
\* All the measurement by millimeter (mm)

## LED Glass Shelf Lighting



Model	Description	Colour Temperature	Wattage	Cabinet (W)	Dimension (W x D x H)	Packing	Unit Price
HL16113-564	LED Glass Shelf Lighting (Not include LED Driver)	4000K	6.0 W	600	564 x 20 x 11	1 pc/box, 36 pcs/ctn	<b>RM 52.00</b>
HL16113-864	LED Glass Shelf Lighting (Not include LED Driver)	4000K	9.0 W	900	864 x 20 x 11	1 pc/box, 36 pcs/ctn	<b>RM 69.00</b>

## LED Wood Shelf Lighting



Model	Description	Colour Temperature	Wattage	Cabinet (W)	Dimension (W x D x H)	Packing	Unit Price
HL17112-567	LED Wood Shelf Lighting (Not include LED Driver)	4000K	11.0 W	600	567 x 28 x 20	1 pc/box, 36 pcs/ctn	<b>RM 115.00</b>
HL17112-867	LED Wood Shelf Lighting (Not include LED Driver)	4000K	16.5 W	900	867 x 28 x 20	1 pc/box, 36 pcs/ctn	<b>RM 142.00</b>

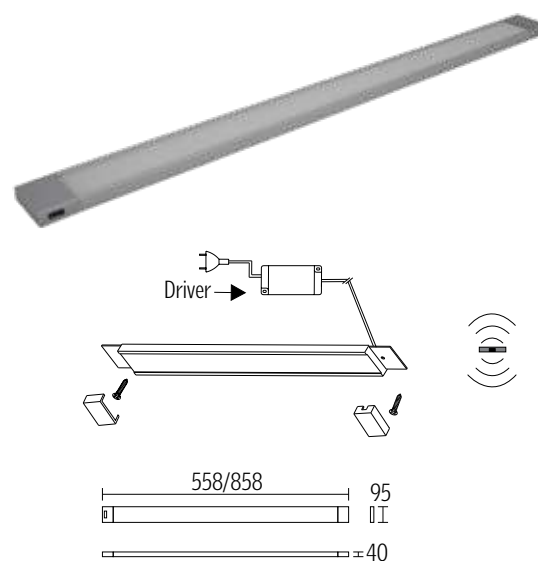
\* All the measurement by millimeter (mm)

## LED Lighting Shelf



Model	Description	Colour Temperature	Wattage	Cabinet Width	Dimension (W x D x H)	Packing	Unit Price
HL18131-600	LED Lighting Shelf c/w LED Driver	4000K	11.0 W	600	598 x 230 x 66	1 pc/box, 3 pcs/ctn	<b>RM 586.00</b>
HL18131-900	LED Lighting Shelf c/w LED Driver	4000K	16.5 W	900	898 x 230 x 66	1 pc/box, 3 pcs/ctn	<b>RM 846.00</b>

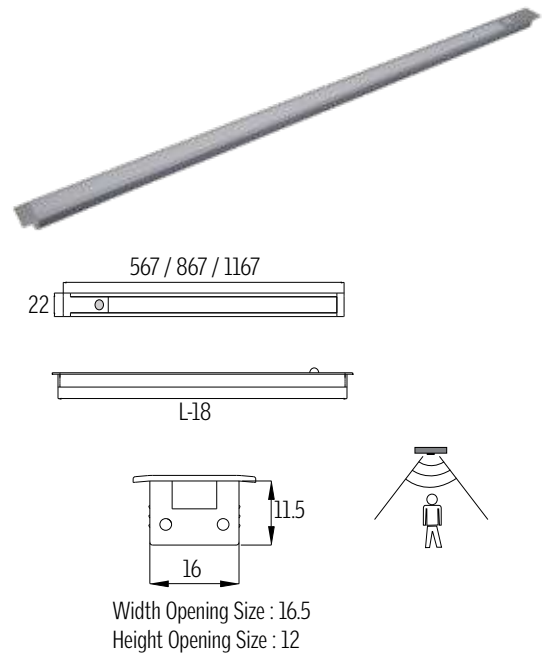
## LED Cabinet Lighting With Double Side Infrared Sensor



Model	Description	Colour Temperature	Wattage	Cabinet Width	Dimension (W x D x H)	Packing	Unit Price
HL15108-560	LED Lighting With Double-Side Infrared Sensor (Not include LED Driver)	4000k	5.0 W	600	558 x 95 x 40	1 pc/box, 50 pcs/ctn	<b>RM 197.00</b>
HL15108-860	LED Lighting With Double-Side Infrared Sensor (Not include LED Driver)	4000k	8.0 W	900	858 x 95 x 40	1 pc/box, 50 pcs/ctn	<b>RM 253.00</b>

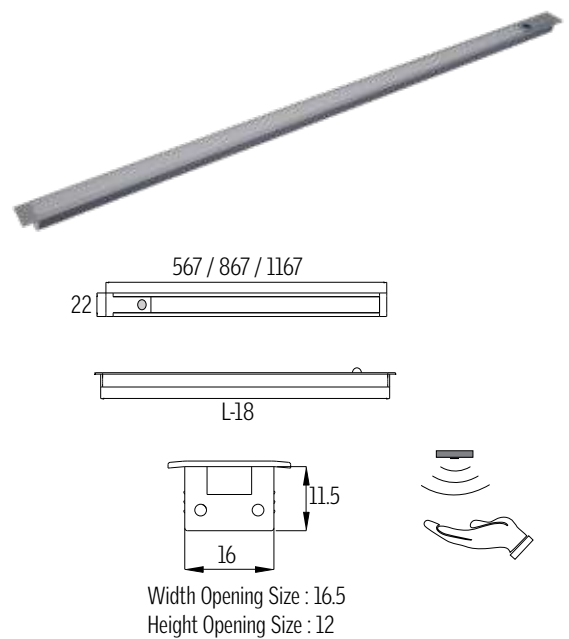
\* All the measurement by millimeter (mm)

## Conceal LED Light Bar PIR Sensor



Model	Description	Colour Temperature	Wattage	Cabinet (W)	Dimension (W x D x H)	Packing	Unit Price
<b>HL17103-567</b>	Conceal LED Light Bar PIR Sensor (Not include LED Driver)	4000K	6.0 W	600	567 x 22 x 11.5	1 pc/box, 36 pcs/ctn	<b>RM 119.00</b>
<b>HL17103-867</b>	Conceal LED Light Bar PIR Sensor (Not include LED Driver)	4000K	9.0 W	900	867 x 22 x 11.5	1 pc/box, 36 pcs/ctn	<b>RM 142.00</b>
<b>HL17103-1167</b>	Conceal LED Light Bar PIR Sensor (Not include LED Driver)	4000K	12.0 W	1200	1167 x 22 x 11.5	1 pc/box, 36 pcs/ctn	<b>RM 161.00</b>

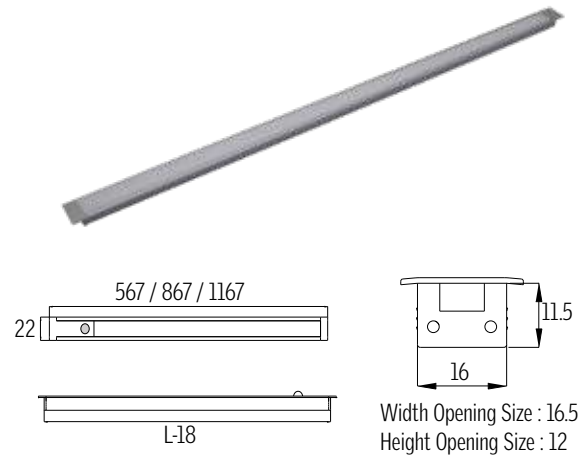
## Conceal LED Light Bar Hand Sweep Sensor



Model	Description	Colour Temperature	Wattage	Cabinet (W)	Dimension (W x D x H)	Packing	Unit Price
<b>HL17104-567</b>	Conceal LED Light Bar Hand Sweep Sensor (Not include LED Driver)	4000k	6.0 W	600	567 x 22 x 11.5	1 pc/box, 36 pcs/ctn	<b>RM 119.00</b>
<b>HL17104-867</b>	Conceal LED Light Bar Hand Sweep Sensor (Not include LED Driver)	4000k	9.0 W	900	867 x 22 x 11.5	1 pc/box, 36 pcs/ctn	<b>RM 142.00</b>
<b>HL17104-1167</b>	Conceal LED Light Bar Hand Sweep Sensor (Not include LED Driver)	4000k	12.0 W	1200	1167 x 22 x 11.5	1 pc/box, 36 pcs/ctn	<b>RM 161.00</b>

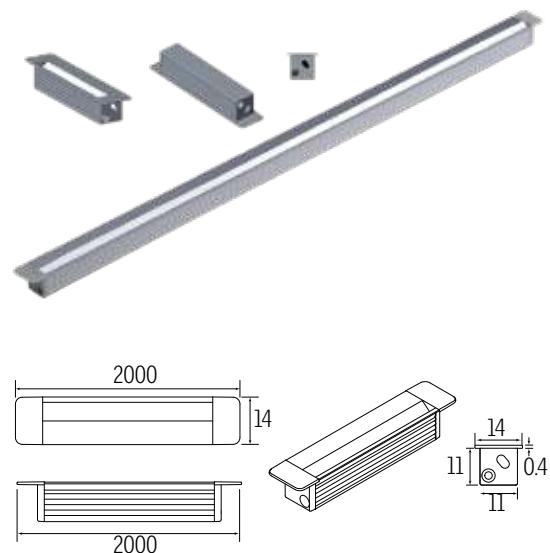
\* All the measurement by millimeter (mm)

## Conceal LED Light Bar



Model	Description	Colour Temperature	Wattage	Cabinet (W)	Dimension (W x D x H)	Packing	Unit Price
<b>HL19107-567</b>	Conceal LED Light Bar (Not include LED Driver)	4000K	6.0 W	600	567 x 22 x 11.5	1 pc/box, 36 pcs/ctn	<b>RM 69.00</b>
<b>HL19107-867</b>	Conceal LED Light Bar (Not include LED Driver)	4000K	9.0 W	900	867 x 22 x 11.5	1 pc/box, 36 pcs/ctn	<b>RM 88.00</b>
<b>HL19107-1167</b>	Conceal LED Light Bar (Not include LED Driver)	4000K	12.0 W	1200	1167 x 22 x 11.5	1 pc/box, 36 pcs/ctn	<b>RM 107.00</b>
<b>HL19107-2000</b>	Conceal LED Light Bar (Not include LED Driver)	4000K	21.0 W	2033	2000 x 22 x 11.5	1 pc/box, 36 pcs/ctn	<b>RM 180.00</b>
<b>HL19107-2500</b>	Conceal LED Light Bar (Not include LED Driver)	4000K	26.0 W	2533	2500 x 22 x 11.5	1 pc/box, 36 pcs/ctn	<b>RM 225.00</b>
<b>HL19107-3000</b>	Conceal LED Light Bar (Not include LED Driver)	4000K	32.0 W	3033	3000 x 22 x 11.5	1 pc/box, 36 pcs/ctn	<b>RM 270.00</b>
<b>HL19107-END CAP</b>	End Cap	-	-	-	-	-	<b>RM 5.00</b>

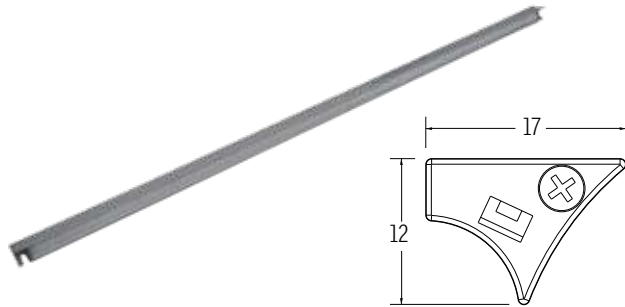
## Conceal LED Light Bar



Model	Description	Colour Temperature	Wattage	Cabinet (W)	Dimension (W x D x H)	Unit Price
<b>HL18410-567</b>	Conceal LED Light Bar	4000K	6.0 W	600	567 x 14 x 12	<b>RM 60.00</b>
<b>HL18410-867</b>	Conceal LED Light Bar	4000K	9.0 W	900	867 x 14 x 12	<b>RM 86.00</b>
<b>HL18410-1167</b>	Conceal LED Light Bar	4000K	12.0 W	1200	1167 x 14 x 12	<b>RM 112.00</b>
<b>HL18410-2000</b>	Conceal LED Light Bar	4000K	21.0 W	2033	2000 x 14 x 12	<b>RM 190.00</b>
<b>HL18410-2500</b>	Conceal LED Light Bar	4000K	26.0 W	2533	2500 x 14 x 12	<b>RM 250.00</b>
<b>HL18410-3000</b>	Conceal LED Light Bar	4000K	32.0 W	3033	3000 x 14 x 12	<b>RM 298.00</b>
<b>HL18410-END CAP</b>	End Cap	-	-	-	-	<b>RM 5.00</b>

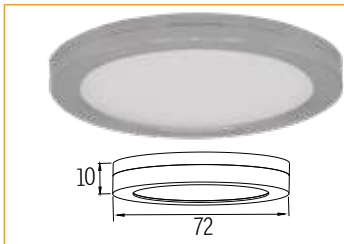
\* All the measurement by millimeter (mm)

## Triangle Shape LED Surface Light Bar



Model	Description	Colour Temperature	Wattage	Cabinet Width	Dimension (W x D x H)	Packing	Unit Price
<b>HL18117-567</b>	Triangle Shape LED Surface Light Bar (Not include LED Driver)	4000K	6.0 W	600	567 x 17 x 12	1 pc/box, 50 pcs/ctn	<b>RM 69.00</b>
<b>HL18117-867</b>	Triangle Shape LED Surface Light Bar (Not include LED Driver)	4000K	9.0 W	900	867 x 17 x 12	1 pc/box, 50 pcs/ctn	<b>RM 93.00</b>
<b>HL18117-1167</b>	Triangle Shape LED Surface Light Bar (Not include LED Driver)	4000K	12.0 W	1200	1167 x 17 x 12	1 pc/box, 50 pcs/ctn	<b>RM 128.00</b>

## Surface LED Round Light



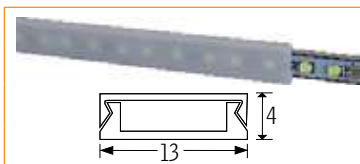
Model	Description	Colour Temperature	Wattage	Dimension (Ø x H)	Packing	Unit Price
<b>HL13207</b>	Surface LED Round Light	4000K	2.2 W	Ø72 x 10	1 pc/box, 250 pcs/ctn	<b>RM 67.00</b>

## Conceal LED Light



Model	Description	Colour Temperature	Wattage	Dimension (Ø x H)	Packing	Unit Price
<b>HL19210</b>	Conceal LED Light Warm Light	4000K	1.8 W	Ø65 x 13	1 pc/box, 250 pcs/ctn	<b>RM 43.00</b>

## T5 LED Light



Model	Description	Colour Temperature	Wattage	Dimension (W x D x H)	Packing	Unit Price
<b>HL15110-600</b>	T5 LED Light	4000K	6.5 W	600 x 13 x 4	2 pc/box	<b>RM 34.00</b>
<b>HL15110-900</b>	T5 LED Light	4000K	9.5 W	900 x 13 x 4	2 pc/box	<b>RM 48.00</b>
<b>HL15110-1200</b>	T5 LED Light	4000K	12.5 W	1200 x 13 x 4	2 pc/box	<b>RM 65.00</b>


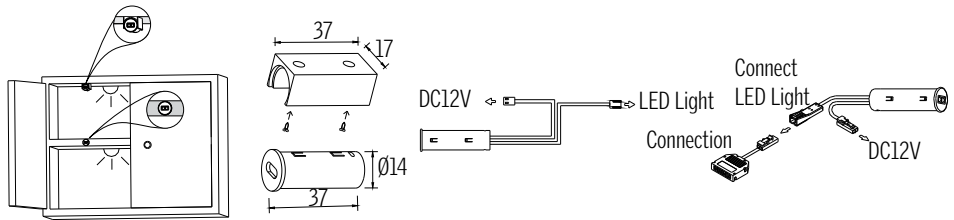
## LED Light Belt



Model	Description	Colour Temperature	Wattage	Length	Packing	Unit Price
<b>SE-L8-2835-12-30K</b>	LED Light Belt Yellow Light	3000K	14.0 W/Meter	5000	1 pc/box	<b>RM 155.00</b>
<b>SE-L8-2835-12-40K</b>	LED Light Belt Warm Light	4000K	14.0 W/Meter	5000	1 pc/box	<b>RM 155.00</b>
<b>SE-L8-2835-12-60K</b>	LED Light Belt White Light	6000K	14.0 W/Meter	5000	1 pc/box	<b>RM 155.00</b>


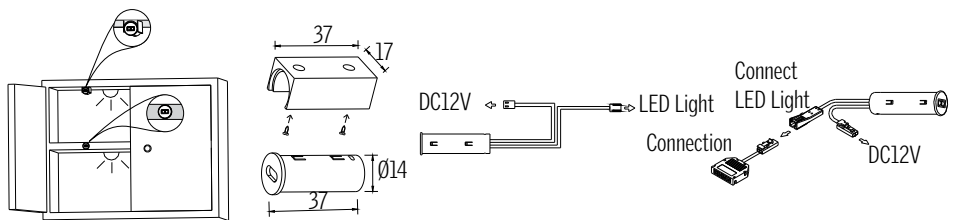
## Infrared Sensor For LED Light

Model	Description	Wattage	Dimension (W x H)	Packing	Unit Price
<b>HLGS13003</b>	Infrared Sensor for LED Light	24.0 W	37 x 17	1 pc/box, 100 pcs/ctn	<b>RM 55.00</b>
<b>HLGS16003</b>	Infrared Sensor for LED Light	60.0 W	37 x 17	1 pc/box, 100 pcs/ctn	<b>RM 83.00</b>


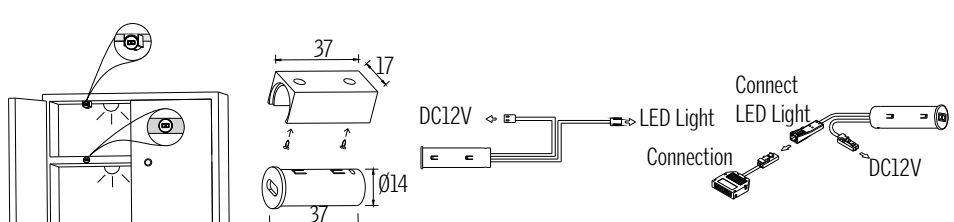
## Hand Sweep Sensor For LED Light

Model	Description	Wattage	Dimension (W x H)	Packing	Unit Price
<b>HLGS13004</b>	Hand Sweep Sensor for LED Light	24.0 W	37 x 17	1 pc/box, 100 pcs/ctn	<b>RM 55.00</b>


## PIR Sensor For LED Light

Model	Description	Wattage	Dimension (W x H)	Packing	Unit Price
<b>HLGS16005</b>	PIR Sensor for LED Light	24.0 W	37 x 17	1 pc/box, 100 pcs/ctn	<b>RM 60.00</b>


## Semicircle-Shape Wire Trunking

Model	Description	Length	Unit Price
<b>HL002</b>	Semicircle-Shape Wire Trunking	1000	<b>RM 9.00</b>




## Triangle-Shape Wire Trunking


Model	Description	Length	Unit Price
<b>HL003</b>	Triangle-Shape Wire Trunking	1000	<b>RM 9.00</b>



## LED Strip Connection

	Model	Description	Length	Unit Price
	<b>HLDC03</b>	LED Strip Connection	1500	<b>RM 10.00</b>


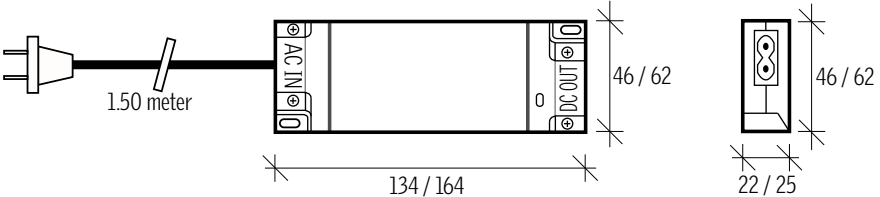
## Lighting Connection

	Model	Description	Length	Dimension (W x D x H x L)	Unit Price
	<b>HLGSBOX609-4</b>	Lighting Connection (4 Hole)	170	41 x 38 x 10 x 170	<b>RM 12.00</b>


## Wireless Controller And Receiver

	Model	Description	Wattage	Length	Dimension (W x D x H x L)	Unit Price
	<b>HLGS17009</b>	LED Wireless Controller - Black	-	-	45 x 66 x 14	<b>RM 125.00</b>
<b>HLGS17013</b>	Wireless Receiver - Black	60 W	165	65 x 47 x 13 x 165		

## LED Driver

	Model	Description	Wattage	Dimension (W x D x H)	Packing	Unit Price
	<b>LED16001</b>	LED Driver	15.0 W	134/164 x 46/62 x 22/25	1 pc/box, 100 pcs/ctn	<b>RM 67.00</b>
	<b>LED15015</b>	LED Driver	30.0 W	134/164 x 46/62 x 22/25	1 pc/box, 100 pcs/ctn	<b>RM 90.00</b>
	<b>LED15016</b>	LED Driver	60.0 W	134/164 x 46/62 x 22/25	1 pc/box, 100 pcs/ctn	<b>RM 171.00</b>
						

## Extension Connector

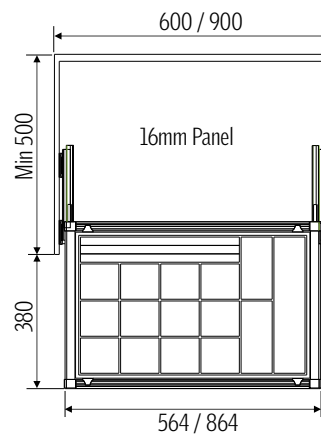
	Model	Description	Length	Packing	Unit Price
	<b>9915-B</b>	Extension Connector	2000	200 pcs/ctn	<b>RM 10.00</b>





**WARDROBE SYSTEM**

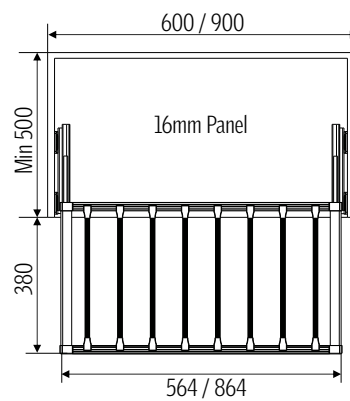
## Soft Close Decoration Shelf



Model	Description	Loading Capacity	Material	Finishing	Cabinet Width	Dimension (W x D x H)	Packing	Unit Price
WAH2106G-600	Soft Close Decorations Shelf	15 kg	Aluminium + Powder Coating	Dark Grey	600	564 x 478 x 73	1 set/box, 2 sets/ctn	<b>RM 515.00</b>
WAH2106G-900	Soft Close Decorations Shelf	15 kg	Aluminium + Powder Coating	Dark Grey	900	864 x 478 x 73	1 set/box, 2 sets/ctn	<b>RM 635.00</b>

\* All the measurement by millimeter (mm)

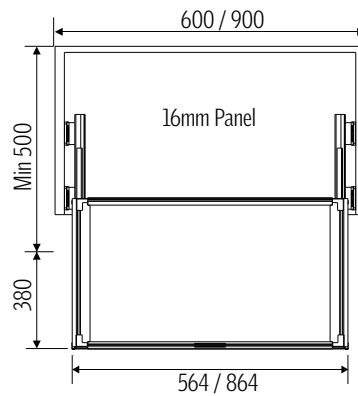
## Soft Close Trouser Rack



Model	Description	Loading Capacity	Material	Finishing	Cabinet Width	Dimension (W x D x H)	Packing	Unit Price
<b>WAH2177G-600</b>	Soft Close Trouser Rack	15 kg	Aluminium + Powder Coating	Dark Grey	600	564 x 478 x 53	1 set/box, 2 sets/ctn	<b>RM 345.00</b>
<b>WAH2177G-900</b>	Soft Close Trouser Rack	15 kg	Aluminium + Powder Coating	Dark Grey	900	864 x 478 x 53	1 set/box, 2 sets/ctn	<b>RM 395.00</b>
<b>WAH2177-B</b>	Trouser Rack Bar Only	-	Aluminium + Powder Coating	Dark Grey	-	-	1 pc/bag, 16 pcs/ctn	<b>RM 20.00</b>

\* All the measurement by millimeter (mm)

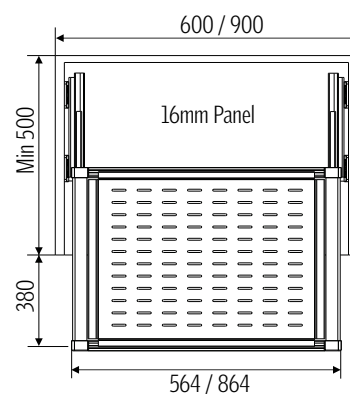
## Soft Close Glass Storage Rack



\* All the measurement by millimeter (mm)

Model	Description	Loading Capacity	Material	Finishing	Cabinet Width	Dimension (W x D x H)	Packing	Unit Price
WAH2108C-600	Soft Close Glass Storage Rack	15 kg	Aluminium + Powder Coating	Dark Grey	600	564 x 478 x 137	1 sets/ctn	<b>RM 435.00</b>
WAH2108C-900	Soft Close Glass Storage Rack	15 kg	Aluminium + Powder Coating	Dark Grey	900	864 x 478 x 137	1 sets/ctn	<b>RM 523.00</b>

## Soft Close Storage Rack

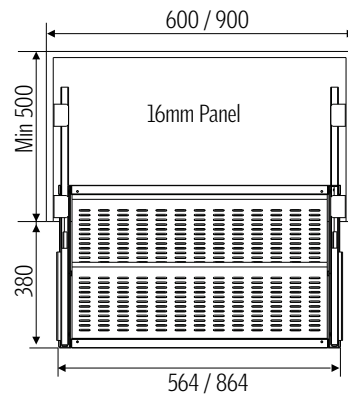
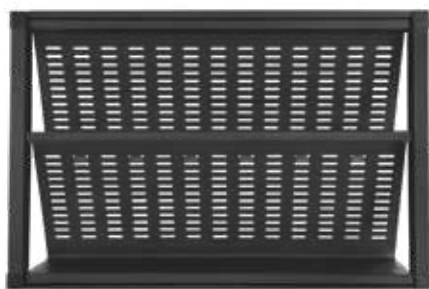


**Soft Closing**

Model	Description	Loading Capacity	Material	Finishing	Cabinet Width	Dimension (W x D x H)	Packing	Unit Price
WAH2101G-600	Soft Close Storage Rack	15 kg	Aluminium + Powder Coating	Dark Grey	600	564 x 478 x 145	1 sets/ctn	<b>RM 466.00</b>
WAH2101G-900	Soft Close Storage Rack	15 kg	Aluminium + Powder Coating	Dark Grey	900	864 x 478 x 145	1 sets/ctn	<b>RM 551.00</b>

\* All the measurement by millimeter (mm)

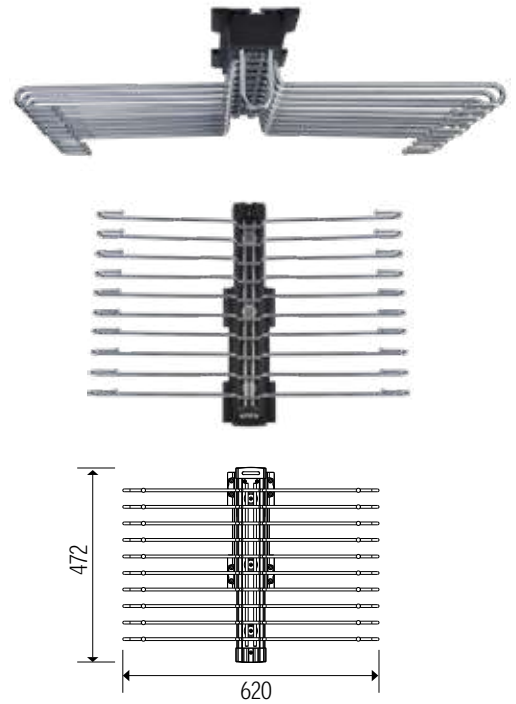
## Soft Close Shoe Rack



Model	Description	Loading Capacity	Material	Finishing	Cabinet Width	Dimension (W x D x H)	Packing	Unit Price
WAH2104G-600	Soft Close Shoe Rack	15 kg	Aluminium + Powder Coating	Dark Grey	600	564 x 478 x 160	1 sets/ctn	RM 461.00
WAH2104G-900	Soft Close Shoe Rack	15 kg	Aluminium + Powder Coating	Dark Grey	900	864 x 478 x 160	1 sets/ctn	RM 551.00

\* All the measurement by millimeter (mm)

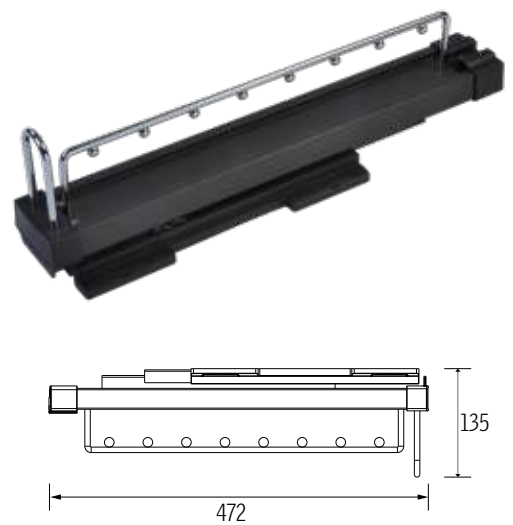
## Soft Close Top Pants Rack



**Soft Closing**

Model	Description	Loading Capacity	Finishing	Cabinet Width	Dimension (W x D x H)	Packing	Unit Price
<b>WAH2103</b>	Top Pants Rack	10 kg	Charcoal Grey	800	620 x 472 x 135	1 sets/ctn	<b>RM 336.00</b>

## Soft Close Coat Hanger

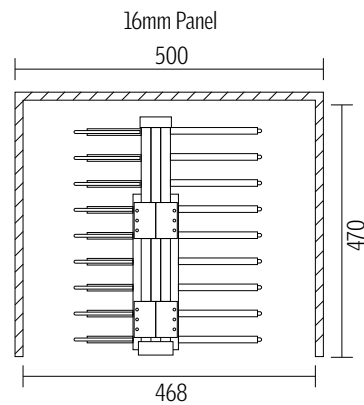


**Soft Closing**

Model	Description	Loading Capacity	Finishing	Cabinet Width	Dimension (W x D x H)	Packing	Unit Price
<b>WAH2109</b>	Single Extension Slide Coat Hanger	10 kg	Charcoal Grey	600	113 x 472 x 135	1 set/box, 10 sets/ctn	<b>RM 192.00</b>

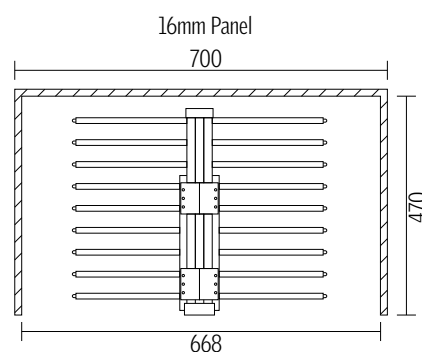
\* All the measurement by millimeter (mm)

## Top Mounted Pants Rack (V Shape)



Model	Description	Material	Finishing	Cabinet Width	Dimension (W x D x H)	Unit Price
<b>WAH2113G</b>	Top Mounted Pants Rack (V Shape)	Nano Dry	Dark Grey	500	340 x 455 x 140	<b>RM 285.00</b>

## Top Mounted Pants Rack (Two Row)

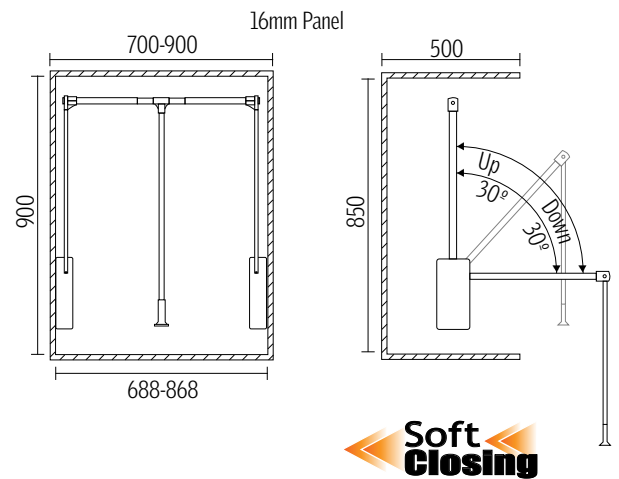


Model	Description	Material	Colour	Cabinet Width	Dimension (W x D x H)	Unit Price
<b>WAH2112G</b>	Top Mounted Pants Rack (Two Row)	Nano Dry	Dark Grey	700	630 x 455 x 115	<b>RM 330.00</b>

\* All the measurement by millimeter (mm)



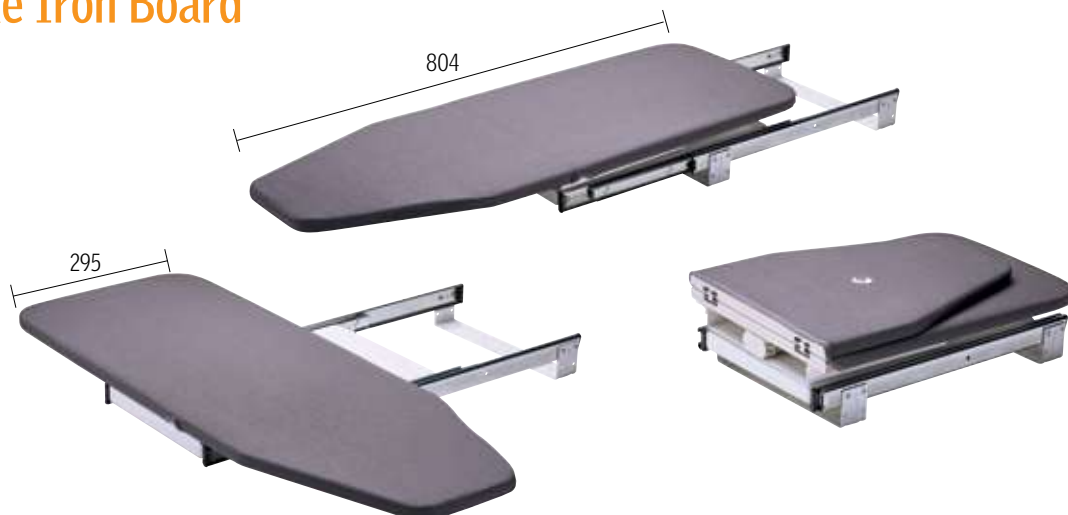
## Up & Down Soft Close Hanger



**Soft Closing**

Model	Description	Material	Finishing	Cabinet Width	Dimension (W x D x H)	Unit Price
<b>WAH29115G</b>	Up & Down Soft Close Hanger	Aluminium	Dark Grey	700-900	650-910 x 140 x 840	<b>RM 330.00</b>

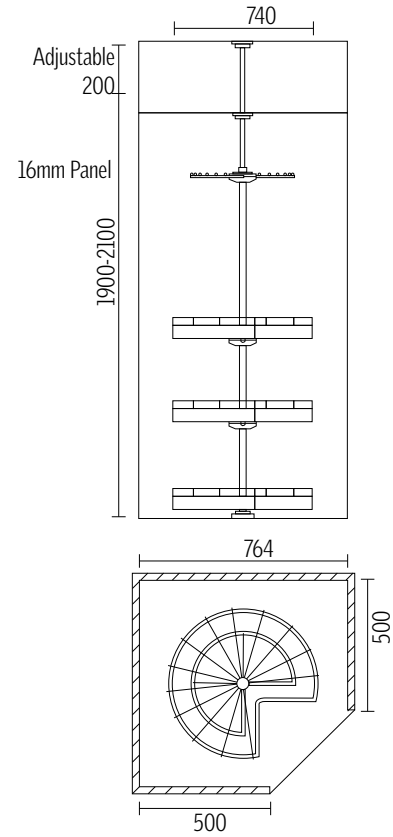
## Deluxe Iron Board



Model	Description	Finishing	Cabinet Width	Dimension (W x D x H)	Unit Price
<b>WAH2128G</b>	Deluxe Iron Board	Dark Grey	400	295 x 430 x 140	<b>RM 520.00</b>

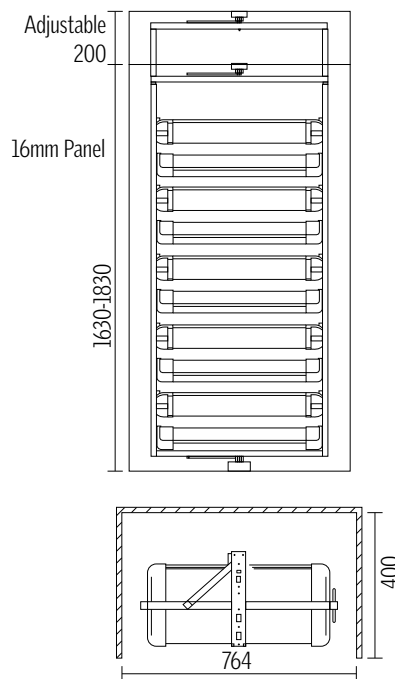
\* All the measurement by millimeter (mm)

## 4 Layer of Rotating Basket



Model	Description	Material	Finishing	Cabinet Width	Dimension (W x D x H)	Unit Price
<b>WAH29118G</b>	4 Layer of Rotating Basket	Nano Dry	Dark Grey	800	680 x 680 x 1900-2100	<b>RM 1080.00</b>

## 10 Layer 360° Rotating Shoe Rack



Model	Description	Material	Finishing	Cabinet Width	Dimension (W x D x H)	Unit Price
<b>WAH2116G</b>	10 Layer 360° Rotating Shoe Rack	Aluminium	Dark Grey	800	700 x 360 x 1630-1830	<b>RM 1580.00</b>

\* All the measurement by millimeter (mm)

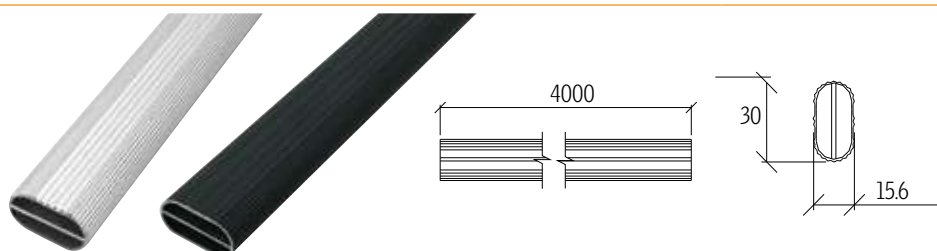


## Tube Holder



Model	Description	Material	Dimension (W x D x H)	Unit Price
<b>XSK08-B</b>	Oval Tube Holder - Black	Zinc alloy	20 x 11.5 x 43	<b>RM 1.50</b>
<b>XSK08-C</b>	Oval Tube Holder - Chrome	Zinc alloy	20 x 11.5 x 43	<b>RM 1.30</b>

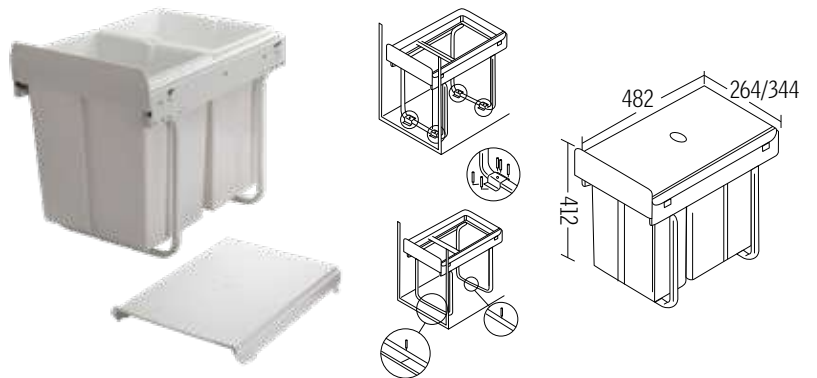
## Oval Tube



Model	Description	Material	Dimension (L x D x H)	Unit Price
<b>OVT4</b>	OVT4 x 4 meter Oval Tube 4000mm - N.A	Aluminium	4000 x 15.6 x 30	<b>RM 51.00</b>
<b>OVT4-PB</b>	OVT4-PB x 4 meter Oval Tube 4000mm - Powder Coat Black	Aluminium	4000 x 15.6 x 30	<b>RM 70.00</b>

\* All the measurement by millimeter (mm)

## Square Waste Bin



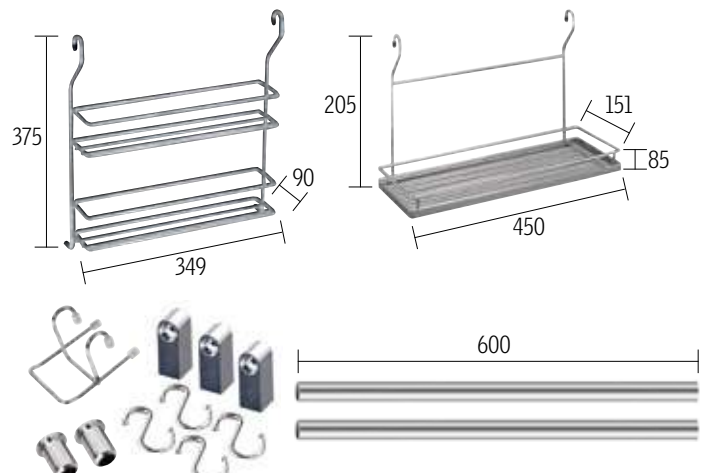
Model	Description	Loading Capacity	Material	Cabinet Width	Dimension (W x D x H)	Packing	Unit Price
<b>4043 001 030</b>	T3101 Waste Bin	10kg	Plastic + Metal	300	264 x 482 x 412	1 set/ctn	<b>RM 388.00</b>
<b>4043 001 040</b>	T3102 Waste Bin	10kg	Plastic + Metal	400	344 x 482 x 412	1 set/ctn	<b>RM 447.00</b>

## Round Waste Bin



Model	Description	Capacity	Material	Cabinet Width	Dimension (W x H)	Packing	Unit Price
<b>4043 003 002</b>	T3111 Built in Waste Bin S/Steel Small	8 liter	S/Steel + Plastic	350	275 x 245	1 set/ctn	<b>RM 107.00</b>
<b>4043 005 001</b>	T3115 Built in Waste Bin S/Steel Big	15 liter	S/Steel + Plastic	400	300 x 340	1 set/ctn	<b>RM 138.00</b>

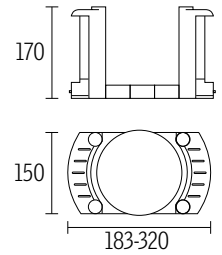
## DIY Kitchen Railing Series 5



Model	Description	Finishing	Unit Price
<b>4042 015 000</b>	F 28505 DIY Railing Series 5	Stainless Steel	<b>RM 345.00</b>

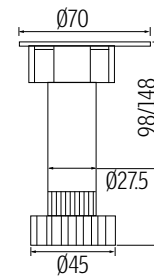
\* All the measurement by millimeter (mm)

## Plate Holder



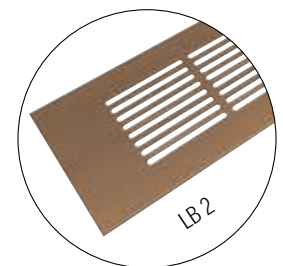
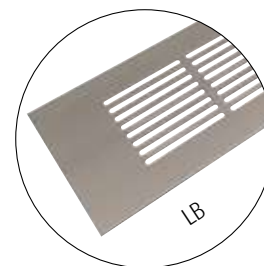
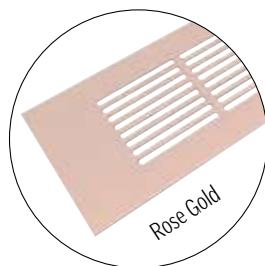
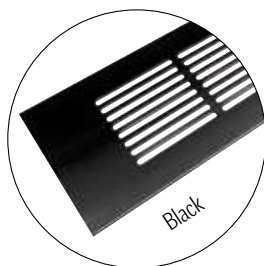
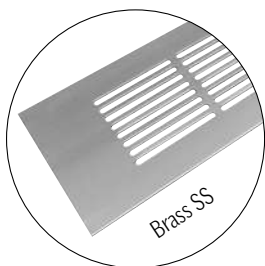
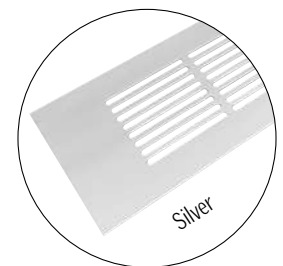
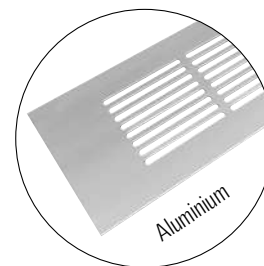
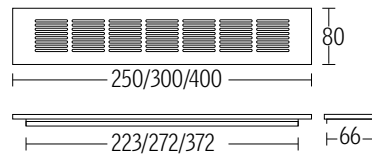
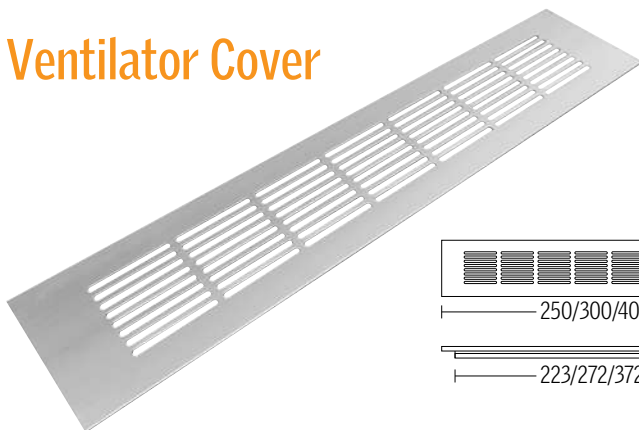
Model	Description	Finishing	Material	Adjustment Size (W)	List Price
<b>4043 108 001</b>	PH29888 Plate Holder	Grey	PVC	183 - 320	<b>RM 95.00</b>

## Kitchen Leg



Model	Description	Loading Capacity	Finishing	Dimension (Ø x H)	Unit Price
<b>4043 010 011</b>	Kitchen Leg 4" Black 100mm (4 Legs + 2 Clip)	250kg (4pcs)	Black	Ø 45 x 95	<b>RM 5.00</b>
<b>4043 010 012</b>	Kitchen Leg 6" Black 150mm (4 Legs + 2 Clip)	250kg (4pcs)	Black	Ø 45 x 145	<b>RM 6.00</b>

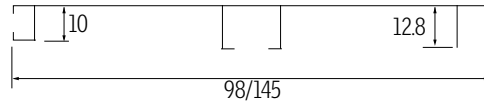
## Ventilator Cover



Description	Material	Dimension (W x D)	Packing	Unit Price
WH250mm Ventilator Cover (Aluminium / Silver / Brass SS / Black / Rose Gold / LB / LB2)	Aluminium	80 x 250	100pcs/box	<b>RM 12.00</b>
WH300mm Ventilator Cover (Aluminium / Silver / Brass SS / Black / Rose Gold / LB / LB2)	Aluminium	80 x 300	100pcs/box	<b>RM 15.00</b>
WH400mm Ventilator Cover (Aluminium / Silver / Brass SS / Black / Rose Gold / LB / LB2)	Aluminium	80 x 400	100pcs/box	<b>RM 20.00</b>

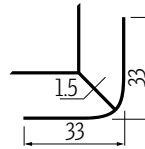
\* All the measurement by millimeter (mm)

## Cabinet Skirting



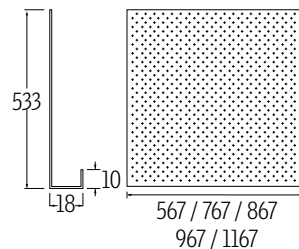
Model	Description	Material	Colour	Dimension (L x H)	Packing	Unit Price
<b>4043 100 010</b>	451-100mm*4m Cabinet Skirting	PVC	Silver	4m x 100	10 pcs/box	<b>RM 58.00</b>
<b>4043 100 015</b>	451-150mm*4m Cabinet Skirting			4m x 150	10 pcs/box	<b>RM 90.00</b>
<b>491-100</b>	491-100mm*4m Cabinet Skirting	PVC	Black	4m x 100	10 pcs/box	<b>RM 75.00</b>

## Cabinet Skirting Corner Connection



Model	Description	Material	Colour	Dimension (W x D x H)	Packing	Unit Price
<b>4043 101 010</b>	452-100mm Skirting Corner Ø90	PVC	Silver	33 x 33 x 100	400 pcs/box	<b>RM 4.00</b>
<b>4043 101 015</b>	452-150mm Skirting Corner Ø90			33 x 33 x 150	250 pcs/box	<b>RM 6.00</b>
<b>492-B</b>	492-100mm Skirting Corner Ø90		Black	33 x 33 x 100	400 pcs/box	<b>RM 4.00</b>

## Sink Bottom Protect



Model	Description	Material	Cabinet Width	Dimension (W x D x H)	Packing	Unit Price
<b>4043 021 060</b>	SA0567 Oxidized Sink Bottom Protector	Aluminium	600	567 x 533 x 18	10pcs/box	<b>RM 97.00</b>
<b>4043 021 080</b>	SA0767 Oxidized Sink Bottom Protector	Aluminium	800	767 x 533 x 18	10pcs/box	<b>RM 125.00</b>
<b>4043 021 090</b>	SA0867 Oxidized Sink Bottom Protector	Aluminium	900	867 x 533 x 18	10pcs/box	<b>RM 136.00</b>
<b>4043 021 100</b>	SA0967 Oxidized Sink Bottom Protector	Aluminium	1000	967 x 533 x 18	10pcs/box	<b>RM 147.00</b>
<b>4043 021 120</b>	SA01167 Oxidized Sink Bottom Protector	Aluminium	1200	1167 x 533 x 18	10pcs/box	<b>RM 173.00</b>

\* All the measurement by millimeter (mm)

## Sink Bottom Protect



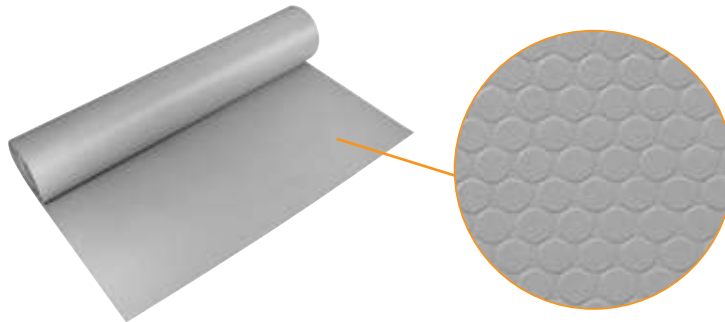
SAP 1220\*50m with Sticker



SAP 1250\*50/0.2 without Sticker

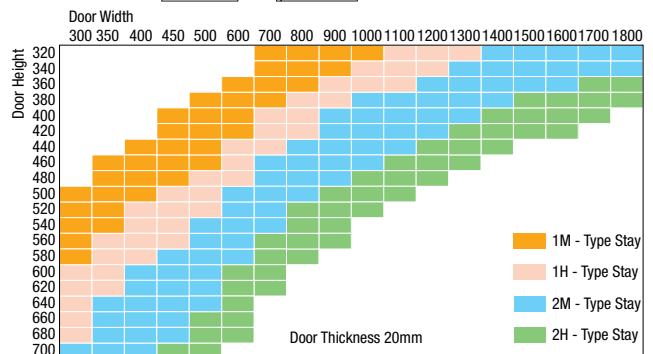
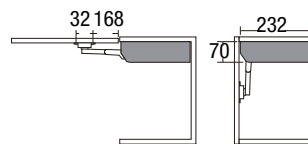
Model	Description	Material	Dimension (T x H x L)	Packing	Unit Price
<b>SSA1220*50m</b>	Sticker Sink Aluminium Bottom Protector 1220*50	Aluminium	0.1 x 1220 x 50m	1 pcs/ctn	<b>RM 946.00</b>
<b>SAP1250*50/0.2</b>	Sink Aluminium Bottom Protector	Aluminium	0.2 x 1250 x 50m	1 pcs/ctn	<b>RM 2245.00</b>

## Rubber Mat



Model	Description	Dimension (T x D x L)	Packing	Unit Price
<b>4043 009 000</b>	Rubber Mat	0.50 x 505 x 1000	1 pc/box	<b>RM 365.00</b>

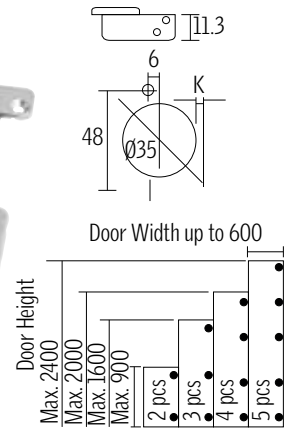
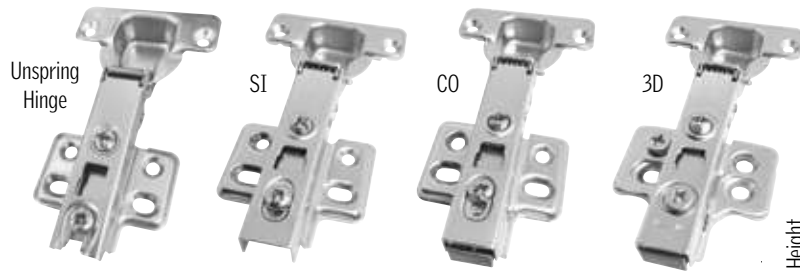
## Easy Lift Up Stay



Model	Description	Finishing	Packing	Unit Price
<b>4045 017 001</b>	Easy Lift up stay (748280) Left	Grey	1 pc/box, 10 pcs/ctn	<b>RM 85.00</b>
<b>4045 017 002</b>	Easy Lift up stay (748280) Right	Grey	1 pc/box, 10 pcs/ctn	<b>RM 85.00</b>

\* All the measurement by millimeter (mm)

## Hydraulic Hinge



**40,000**  
time cycle test

Model	Description	Material	Packing	Unit Price
<b>4041 001 012</b>	Hauss 110-16 Unsprung Hinge	Metal	200 pcs/box	<b>RM 2.70</b>
<b>4041 001 003</b>	SC110-16 SI Hydraulic Hinge - Slide In	Metal	200 pcs/box	<b>RM 3.60</b>
<b>4041 001 001</b>	SC110-16 CO Hydraulic Hinge - Clip On	Metal	200 pcs/box	<b>RM 4.50</b>
<b>4041 001 010</b>	SC110-16 3D Hydraulic Hinge - 3D	Metal	200 pcs/box	<b>RM 6.50</b>

## Hydraulic Hinge



Model	Description	Material	Unit Price
<b>HI165</b>	165° Clip On Soft Close Hydraulic Hinge 4 Hole	Metal	<b>RM 15.00</b>

## Door Hanger



Model	Description	Loading Capacity	Door (H x W)	Packing	Unit Price
<b>4045 107 000</b>	LS3107 Door Hanger	7kg	300 x 600-800	1 pair/ctn	<b>RM 100.00</b>

## Hanging Holder

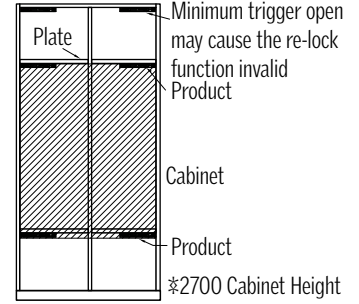
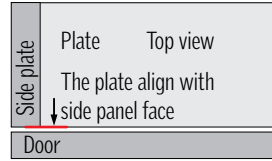


Model	Description	Loading Capacity	Material	Dimension (W x D x H)	Packing	Unit Price
<b>4043 106 002</b>	Hanging Holder V	80kg (2pcs)	PVC + Metal	26 x 67 x 44	100 pairs/box	<b>RM 7.50</b>

\* All the measurement by millimeter (mm)



## Push Open Soft Close Door Device



- This product must be matched with spring free hinges
- Door opening angle less than 110°
- The number of hinges matched with this product is customized according to the door panel specification

Model	Description	Loading Capacity	Unit Price
<b>POM-075LD</b>	Light Duty (Included 2pcs Unspring Hinge)	7.5kg	<b>RM 130.00</b>
<b>POM-250HD</b>	Heavy Duty (Included 5pcs Unspring Hinge)	Wooden Door	20kg
		Aluminium Frame Door	25kg
			<b>RM 153.00</b>

## Gas Spring



Model	Description	Unit Price
<b>4045 008 008</b>	Gas Spring 100N (10kg)	<b>RM 12.00</b>

## Door Touch Open Catch



Model	Description	Material	Dimension (L)	Packing	Unit Price
<b>4041 002 001</b>	Door Touch Open Catch	PVC	84 - 124	200 pcs/box	<b>RM 4.80</b>

\* All the measurement by millimeter (mm)

## HD138 C Handle

	Model	Description	Finishing	Material	Unit Price
	<b>HD138C*4</b>	138 x 4.05m C Handle	N.A.	Aluminium	<b>RM 150.00</b>
	<b>HD138*4-7BL</b>	138 x 4.05m C Handle - TEX Black 9005	Powder Coat Black	Aluminium	<b>RM 180.00</b>

## HD139 L Handle

	Model	Description	Finishing	Material	Unit Price
	<b>HD139L*4-DN</b>	139 x 4.05m L Handle	N.A.	Aluminium	<b>RM 120.00</b>
	<b>HD139L*4-7BL</b>	139 x 4.05m L Handle - TEX Black 9005	Powder Coat Black	Aluminium	<b>RM 148.00</b>

## HD118 C Handle

	Model	Description	Finishing	Material	Unit Price
	<b>HD118-35375*4</b>	118 x 4.05m C Handle	N.A.	Aluminium	<b>RM 105.00</b>
	<b>HD118C*4-7BL</b>	118 x 4.05m C Handle - TEX Black 9005	Powder Coat Black	Aluminium	<b>RM 135.00</b>
	<b>HD118C*4-7WH</b>	118 x 4.05m C Handle - TEX White 9016P	Powder Coat White	Aluminium	<b>RM 135.00</b>

## HD119 L Handle

	Model	Description	Finishing	Material	Unit Price
	<b>HD119-35376*4</b>	119 x 4.05m L Handle	N.A.	Aluminium	<b>RM 80.00</b>
	<b>HD119L*4-7BL</b>	119 x 4.05m L Handle - TEX Black 9005	Powder Coat Black	Aluminium	<b>RM 110.00</b>
	<b>HD119L*4-7WH</b>	119 x 4.05m L Handle - TEX White 9016P	Powder Coat White	Aluminium	<b>RM 110.00</b>

## L Bracket

	Model	Description	Material	Unit Price
	<b>HDB-N</b>	Bracket Metal for handle C/L Channel	Metal	<b>RM 1.50</b>

## HD0234 Handle

	Model	Description	Material	Unit Price
	<b>HD0234224AL</b>	0234-224 Handle	Aluminium	<b>RM 21.00</b>
	<b>HD0234224SN</b>	0234-224 Handle	Satin Nickel	<b>RM 22.00</b>

## HD0288 Handle

	Model	Description	Material	Unit Price
	<b>HD0288192</b>	0288-192mm Handle	Satin Nickel	<b>RM 24.00</b>

## HD0290 Handle

	Model	Description	Material	Unit Price
	<b>HD0290192</b>	0290-192mm Handle	Satin Nickel	<b>RM 25.00</b>

## HD301 Handle

	Model	Description	Material	Unit Price
	<b>HD0301320</b>	A301-320mm Handle	Aluminium	<b>RM 17.00</b>

## HD471 Handle

	Model	Description	Material	Unit Price
	<b>HD471256SS</b>	471-256mm Handle	BSS	<b>RM 35.00</b>

## HD478 Handle

	Model	Description	Material	Unit Price
	<b>HD478256SS</b>	478-256mm Handle	BSS	<b>RM 31.00</b>

## HD6228 Handle

	Model	Description	Material	Unit Price
	<b>HD6228192BSSNM</b>	6228-192mm Matt Handle	BSS	<b>RM 25.00</b>
	<b>HD6228256BSSNM</b>	6228-256mm Matt Handle	BSS	<b>RM 30.00</b>

## HD6229 Handle

	Model	Description	Material	Unit Price
	<b>HD6229192BSSNM</b>	6229-192mm Matt Handle	BSS	<b>RM 26.00</b>

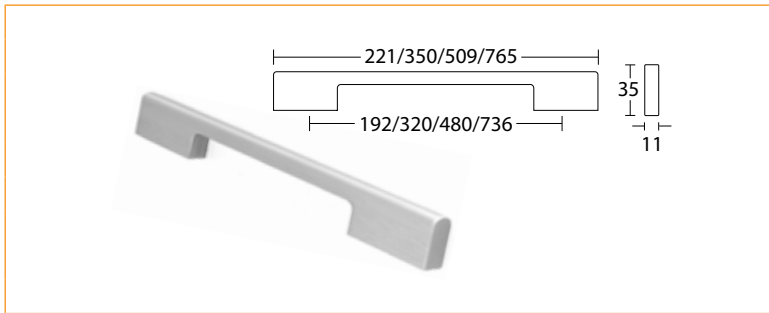
## HD6253 Handle

	Model	Description	Material	Unit Price
	<b>HD6253192BSSNM</b>	6253-192mm Matt Handle	BSS	<b>RM 26.00</b>

## HD6254 Handle

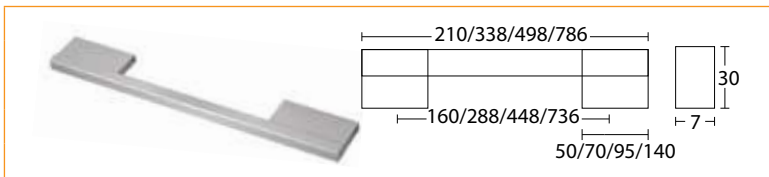
	Model	Description	Material	Unit Price
	<b>HD6254256BSSNM</b>	6254-256mm Matt Handle	BSS	<b>RM 28.00</b>

## HD2231 Handle



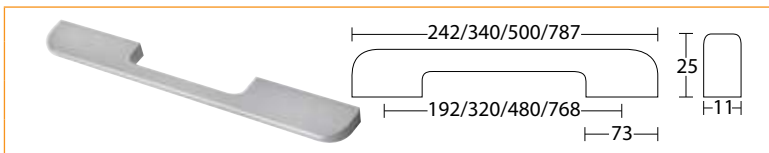
Model	Description	Material	Unit Price
<b>HD2231192AL</b>	2231-192mm Handle	OS	<b>RM 29.00</b>
<b>HD2231320AL</b>	2231-320mm Handle	OS	<b>RM 43.00</b>
<b>HD2231480AL</b>	2231-480mm Handle	OS	<b>RM 64.00</b>
<b>HD2231736AL</b>	2231-736mm Handle	OS	<b>RM 95.00</b>
<b>HD2231192BSS</b>	2231-192mm Handle	BSS	<b>RM 40.00</b>
<b>HD2231320BSS</b>	2231-320mm Handle	BSS	<b>RM 64.00</b>
<b>HD2231480BSS</b>	2231-480mm Handle	BSS	<b>RM 91.00</b>
<b>HD2231736BSS</b>	2231-736mm Handle	BSS	<b>RM 142.00</b>

## HD751 Handle



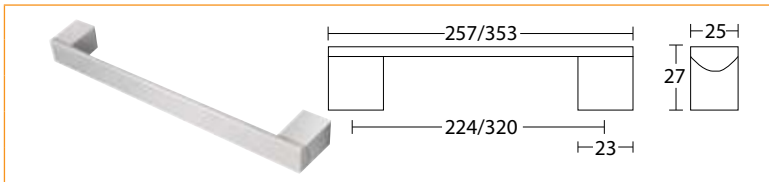
Model	Description	Material	Unit Price
<b>HD751160AL</b>	751A-160mm Handle	Aluminium	<b>RM 18.00</b>
<b>HD751288AL</b>	751A-288mm Handle	Aluminium	<b>RM 32.00</b>
<b>HD751448AL</b>	751A-448mm Handle	Aluminium	<b>RM 42.00</b>
<b>HD751736AL</b>	751A-736mm Handle	Aluminium	<b>RM 68.00</b>

## HD738 Handle



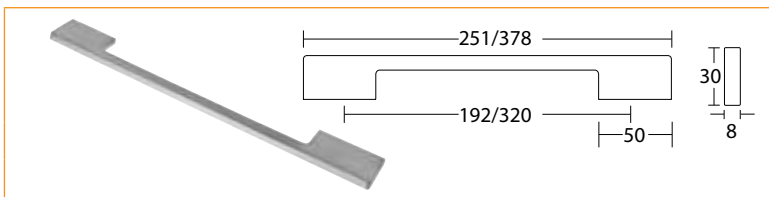
Model	Description	Material	Unit Price
<b>HD738320AL</b>	738-320mm Handle	Aluminium	<b>RM 26.00</b>
<b>HD738480AL</b>	738-480mm Handle	Aluminium	<b>RM 42.50</b>
<b>HD738768AL</b>	738-768mm Handle	Aluminium	<b>RM 68.00</b>

## HD745 Handle



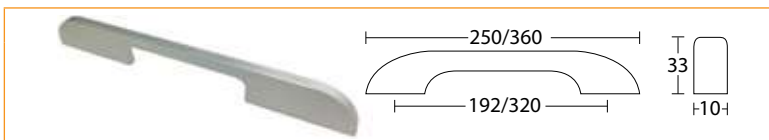
Model	Description	Material	Unit Price
<b>HD745224AL</b>	745A-224mm Handle	Aluminium	<b>RM 24.00</b>
<b>HD745320AL</b>	745A-320mm Handle	Aluminium	<b>RM 33.00</b>
<b>HD745224SN</b>	745A-224mm Handle	Satin Nickel	<b>RM 37.00</b>
<b>HD745320SN</b>	745A-320mm Handle	Satin Nickel	<b>RM 42.00</b>

## HD2311 Handle



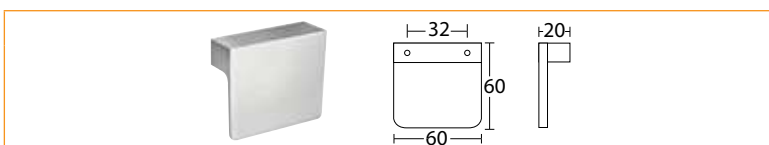
Model	Description	Material	Unit Price
<b>HD2311192AL</b>	2311-192mm Handle	OS	<b>RM 22.00</b>
<b>HD2311320AL</b>	2311-320mm Handle	OS	<b>RM 33.00</b>
<b>HD231119SN</b>	2311-192mm Handle	Satin Nickel	<b>RM 30.00</b>
<b>HD2311320SN</b>	2311-320mm Handle	Satin Nickel	<b>RM 45.00</b>

## HD6805 Handle



Model	Description	Material	Unit Price
<b>HD6805320BO</b>	6805E-320 Handle	Brushed Oxidized	<b>RM 40.00</b>

## HD722 Handle



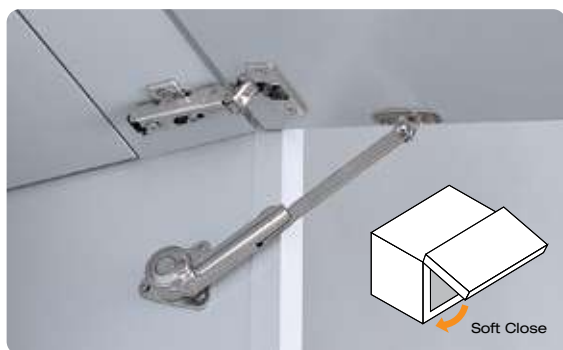
Model	Description	Material	Unit Price
<b>HD72232SN</b>	722-32mm Handle	SN	<b>RM 16.50</b>



**OPEN DOOR SYSTEM**

**LAMP®**

## Adjustable Soft-Down Stay



- For **upward-opening** flap door with piano, butt or concealed hinges.
- Opening angle 80°, 90° or 100°.
- NSDX-35 is designed to hold door in fully opened position.
- Speed adjustment screw located on front for easy adjustment.
- Mounting plate ordered separately.
- Two stop version (hold door at 65° and 90°) is also available.
- Torque calculation: Torque = Door Height x 1/2 x Door Weight
- NSDX-35 (1 stop) = Per Piece: 20-70 kg.cm (19-60 lbs.inch)
- NSDX-35 (1 stop) = Per Pair: 40-140 kg.cm (38-120 lbs.inch)
- NSDX-35-25 (2 stops) = Per Piece: 20-50 kg.cm (19-43 lbs.inch)
- NSDX-35-25 (2 stops) = Per Pair: 40-100 kg.cm (38-86 lbs.inch)

Model	Description	Unit Price
<b>7073 001 001</b>	NSDX-35L Lamp Soft Down Stay (Left) c/w Wood Bracket	<b>RM 165.00</b>
<b>7073 001 002</b>	NSDX-35R Lamp Soft Down Stay (Right) c/w Wood Bracket	<b>RM 165.00</b>

## Adjustable Soft-Down Stay



- For **downward-opening** flap door with piano, butt or drop hinges.
- NSDX-10 is designed to hold door in closed position.
- Speed adjustment screw located on front for easy adjustment.
- Mounting plate ordered separately.
- Torque calculation:  
Torque = Door Height x 1/2 x Door Weight
- Per Piece: 20-70 kg.cm (19-60 lbs.inch)
- Per Pair: 40-140 kg.cm (38-120 lbs.inch)

Model	Description	Unit Price
<b>7073 001 010</b>	NSDX-10 Downward Stay (Left) c/w Wood Bracket	<b>RM 165.00</b>
<b>7073 001 011</b>	NSDX-10 Downward Stay (Right) c/w Wood Bracket	<b>RM 165.00</b>

## Adjustable Soft-Down Stay



- For **downward-opening** flap door with piano, butt or drop hinges.
- Hds-10 is designed to hold door in closed and opened position.
- Used in pairs.
- Torque calculation:
- (Medium duty):  
140-200 kg.cm (121-173 lbs-inch)/pair m-type
- (Heavy duty):  
200-250 kg.cm (173-216 lbs-inch)/pair h-type  
250-300 kg.cm (216-260 lbs-inch)/pair.

Model	Description	Colour	Unit Price
<b>7073 031 001</b>	HDS-10S-HL Heavy Duty Soft Down Lid Stay 'L'	Black	<b>RM265</b>
<b>7073 031 002</b>	HDS-10S-HR Heavy Duty Soft Down Lid Stay 'R'	Black	<b>RM265</b>
<b>7073 031 003</b>	HDS-10S-ML Medium Duty Soft Down Lid Stay 'L'	Black	<b>RM265</b>
<b>7073 031 004</b>	HDS-10S-MR Medium Duty Soft Down Lid Stay 'R'	Black	<b>RM265</b>
<b>7073 031 005</b>	HDS-10S-KL Light Duty Soft Down Lid Stay 'L'	Black	<b>RM265</b>
<b>7073 031 006</b>	HDS-10S-KL Light Duty Soft Down Lid Stay 'R'	Black	<b>RM265</b>

## SLS-ELAN Lift Assist Stay



- For upward-opening flap doors
- Lift-assist function for easy and smooth opening
- Soft closing function for silent and safe closing
- Simple installation by aligning body to edge of cabinet
- Single or pair use allows wide range of door size / weight
- Quality certified by LGA
- Optional bracket for thin aluminium frame door available

*SLS-ELAN STANDARD TYPE	
SLS-ELAN-M	55 - 75kgf · cm
SLS-ELAN-H	75 - 100kgf · cm

Model	Description	Finishing	Unit Price
<b>7073 002 001</b>	Lift Assist Stay ELAN-H/Duty ( Left ) c/w Wood Bracket	White	<b>RM552</b>
<b>7073 002 002</b>	Lift Assist Stay ELAN-H/Duty ( Right ) c/w Wood Bracket	White	<b>RM552</b>
<b>7073 003 001</b>	Lift Assist Stay ELAN-Medium ( Left ) c/w Wood Bracket	White	<b>RM552</b>
<b>7073 003 002</b>	Lift Assist Stay ELAN-Medium ( Right ) c/w Wood Bracket	White	<b>RM552</b>

## SLU-ELAN Swing Lift Up Stay



- Unique swing mechanism
- Lift-assist function for easy and smooth opening.
- Soft-closing function for silent and safe closing.
- Sleek and compact design
- Width: Max 1200mm
- Height: 390-500 / Door

Model	Door Weight / Door
SLU-ELAN S4	5.0 - 6.5kg
SLU-ELAN L4	6.5 - 8.0kg
SLU-ELAN M4	8.0 - 9.5kg
SLU-ELAN H4	9.5 - 11.0kg

Model	Description	Finishing	Unit Price
<b>7073 027 000</b>	SLU-ELAN Swing Lift-Up Stay S4 Light Duty c/w Wood Bracket ( 5.0 - 6.5kg )	White	<b>RM2328</b>
<b>7073 028 000</b>	SLU-ELAN Swing Lift-Up Stay L4 Light Duty c/w Wood Bracket ( 6.5 - 8.0kg )	White	<b>RM2328</b>
<b>7073 026 000</b>	SLU-ELAN Swing Lift-Up Stay Medium c/w Wood Bracket ( 8.0 - 9.5kg )	White	<b>RM2328</b>
<b>7073 025 000</b>	SLU-ELAN Swing Lift-Up Stay H/Duty c/w Wood Bracket ( 9.5 - 11kg )	White	<b>RM2328</b>

## SLU-ELAN Swing Lift Up Stay



- Lift-assist function for easy and smooth opening.
- Soft-closing function for silent and safe closing.
- Free stop function from 30° - 70°
- Simple installation by aligning body to edge of cabinet
- No hinge, no guide bar required.
- Clip-on mounting plate for speedy door installation
- 3 powers available (M,H)
- Lifting Power: Door Height (mm) x Door Weight (mm)

Door Weight	5-12.5kg
Door Height	500-750mm
Door Width	Max. 1,200mm

Model	Description	Finishing	Unit Price
<b>7073 017 000</b>	EZS-ELAN Medium c/w Wood Bracket	White	RM1616
<b>7073 018 000</b>	EZS-ELAN Heavy Duty c/w Wood Bracket	White	RM1616
<b>7073 018 100</b>	EZS-ELAN Light Duty c/w Wood Bracket	White	RM1616

## BI-FOLD Lift Assist Stay



- Bi-fold door mechanism will assist in opening and closing door in a smooth motion.
- Easy installation using a paper template and multiple adjustments.
- Recommended door size and weight

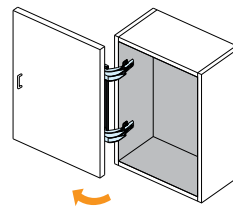
Model	Door Weight / Door
HBF-ELAN LL	2.5 - 3.3kg
HBF-ELAN MM	4.1 - 4.9kg
HBF-ELAN HH	5.7 - 6.5kg

Model	Description	Finishing	Unit Price
<b>7073 022 000</b>	HBF-ELAN Bi-Fold Lift Assist Stay Light Duty c/w Wood Bracket	White	RM2107
<b>7073 024 000</b>	HBF-ELAN Bi-Fold Lift Assist Stay Medium c/w Wood Bracket	White	RM2107
<b>7073 023 000</b>	HBF-ELAN Bi-Fold Lift Assist Stay H/Duty c/w Wood Bracket	White	RM2107

## Mono Flat Lin-X Hinge



Door Weight	Max 17kg
Door Height	600-2400mm
Door Width	400-500mm
Door Thickness	14-24mm

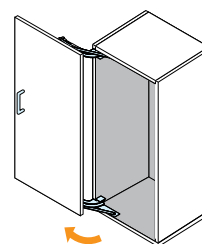


Model	Description	Finishing	Unit Price
<b>7073 007 045</b>	LIN-X450 Hinge System LAMP	-	RM1672
<b>7073 007 060</b>	LIN-X600 Hinge System LAMP	-	RM2006

## Fad Lateral Opening Door System



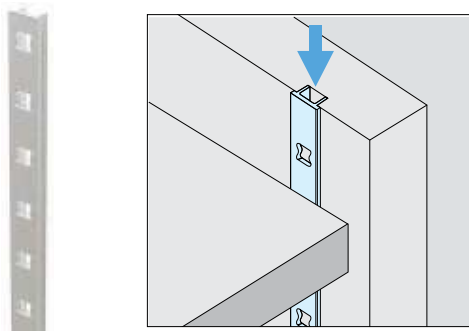
Door Weight	Max 20kg
Door Height	Max 2420mm
Door Width	550-600mm
Door Thickness	Max 35mm



Model	Description	Finishing	Unit Price
<b>7073 008 000</b>	FAD 20 Lateral Opening for Cabinet 'LAMP'	-	RM4372



## Shelf Accessories



Mortise Mount

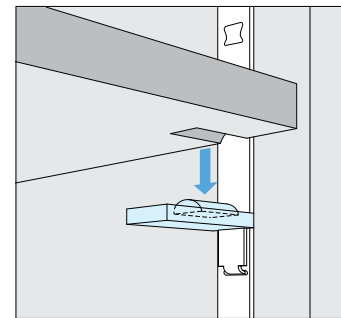


Cap Support



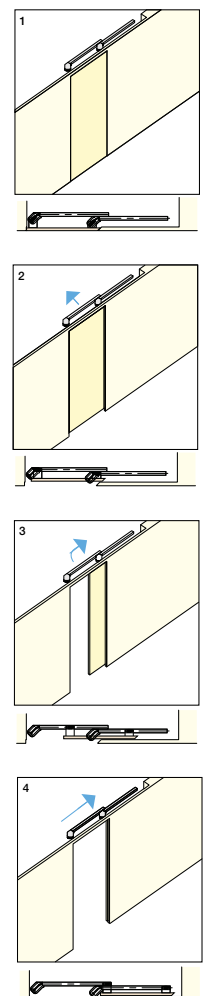
Shelf Support

1820mm Shelf Standard



Model	Description	Unit Price
<b>7073 030 001</b>	1820 LAMP Alum Shelf Standard	<b>RM85</b>
<b>7073 030 002</b>	1820 LAMP Alum Shelf Support Cap	<b>RM3.20</b>
<b>7073 030 003</b>	1820 LAMP Alum Shelf Support	<b>RM4.20</b>

## MFU-1200 Flat Door System



- Flush Surface - Designed to close flush against surrounding walls, providing clean appearance.
- Unique Movement. - Door moves in first, and then slides sideways.
- Clean Appearance - No bottom rails on floor required.

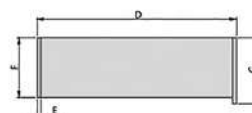
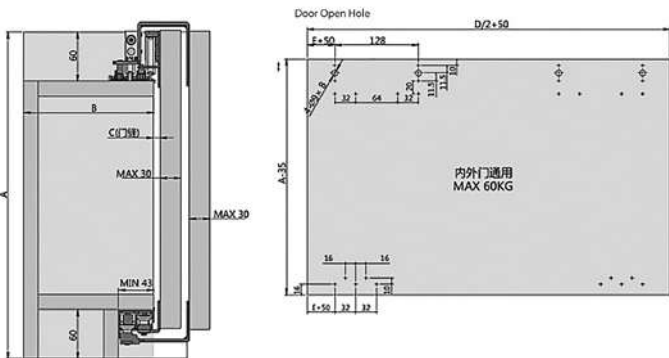
- Smooth Movement - Bearing roller provides smooth movement. Also door catch will pull the door to closed position.
- Various applications - Ideal for walk-in closets, stock room, hidden room applications etc.  
\*For single door application.

Model	Description	Unit Price
<b>7073 012 102</b>	MFU-1200-40-R/L Flat Door System 'LAMP'	<b>RM11255</b>
<b>7073 012 103</b>	MFU-1200-70-R/L Flat Door System 'LAMP'	<b>RM11780</b>

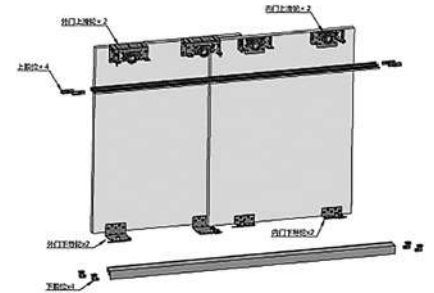
If you have any question for the door measurement , pls contact our sale person.

\* All the measurement by millimeter (mm)

## Hanging Sliding Door



C	F	G
3	B+4.5	B+40.5
4	B+3.5	B+39.5
5	B+2.5	B+38.5



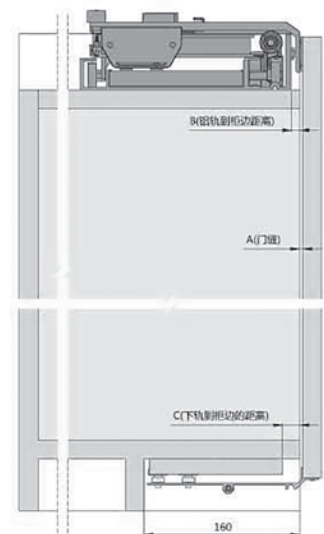
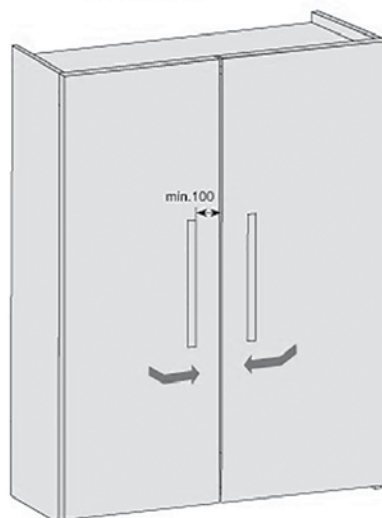
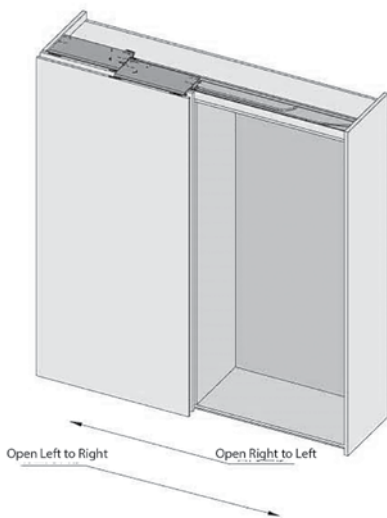
\* All the measurement by millimeter (mm)

Model	Description	Loading Capacity	Unit Price
<b>3031 401 001</b>	50300-2 Hanging Sliding 2 Door Fitting	60kg / Door	<b>RM 250.00</b>
<b>3031 401 011</b>	50300-2 meter Top & Bottom Track for Hanging Sliding Door	-	<b>RM 150.00</b>
<b>3031 401 012</b>	50300-3 meter Top & Bottom Track for Hanging Sliding Door	-	<b>RM 220.00</b>

## Flat Door Sliding System



Two doors

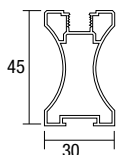


Model	Description	Loading Capacity	Packing	Unit Price
<b>3031 402 018</b>	50304 - 1.8 meter Flat Sliding Door System	50kg / Door	1 pc/ctn	<b>RM 2800.00</b>
<b>3031 402 024</b>	50304 - 2.4 meter Flat Sliding Door System	50kg / Door	1 pc/ctn	<b>RM 3300.00</b>

\* All the measurement by millimeter (mm)



## AJG3 Aluminium Sliding Door



( MOQ Order 15 Sqft / Door )

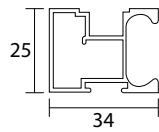
No	Material	U/Sqft
1	Normal Sand Sticker 215, 216, 217, 218, 219, 220 & White	<b>RM 16.80</b>
2	Special Sticker 231, 601, 660, 670, 892, 323, 324 & 326	<b>+RM 3.00</b>
3	Clear Mirror	<b>+RM 4.00</b>
4	Black Tinted, Brown Tinted & Euro Grey Tinted	<b>+RM 5.00</b>
5	Bronze Mirror, Grey Mirror & Black Mirror	<b>+RM 7.00</b>
6	Bronze Reflective	<b>+RM 20.00</b>
7	Spray Paint Normal Glass Solid Colour	<b>+RM 5.00</b>
8	Spray Paint Normal Glass Metallic Colour	<b>+RM 6.00</b>
9	Extra Clear Glass Normal Sticker	<b>+RM 8.00</b>
10	Extra Clear Glass Special Sticker	<b>+RM 9.00</b>
11	Extra Clear Glass Spray Solid Colour + Sticker	<b>+RM 13.00</b>
12	Extra Clear Glass Spray Metallic Colour + Sticker	<b>+RM 14.00</b>
13	Perforated Panel	<b>+RM 10.00</b>
14	Acrylic Clear Normal Sticker	<b>+RM 9.00</b>
15	Acrylic Clear Special Sticker	<b>+RM 10.00</b>
16	Acrylic Solid White & Black	<b>+RM 11.00</b>
17	Acrylic Clear Spray Solid Colour	<b>+RM 14.00</b>
18	Acrylic Clear Spray Metallic Colour	<b>+RM 15.00</b>
19	Powder Coating	<b>+RM 3.00</b>

\* All the measurement by millimeter (mm)

### Additional Charge

- A) Model: G3, D1, C1, AJP1 = M.O.Q 15 sqft/door
- B) Model: SG19 = M.O.Q 18 sqft/door
- C) < i > Top Track - Double + **RM28.00** nett/meter, < ii > Bottom Track - Double + **RM13.00** nett/meter
- D) < i > Top Track - Single + **RM22.00** nett/meter, < ii > Bottom Track - Single + **RM12.00** nett/meter
- \*E) Soft close mechanism + **RM120.00** nett/set
- \*F) Heavy duty soft close mechanism **RM160.00** nett/set
- \*G) Transport charges to site **RM150**/trip
- \*H) Clear Glass Tempered + **RM8.00** nett
- \*I) Black, Euro Grey, Brown Tinted Tempered + **RM12.00** nett

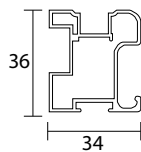
## AJC1 Aluminium Sliding Door



( MOQ Order 15 Sqft / Door )

No	Material	U/Sqft
1	Normal Sand Sticker 215, 216, 217, 218, 219, 220 & White	<b>RM 16.80</b>
2	Special Sticker 231, 601, 660, 670, 892, 323, 324 & 326	<b>+RM 3.00</b>
3	Clear Mirror	<b>+RM 4.00</b>
4	Black Tinted, Brown Tinted & Euro Grey Tinted	<b>+RM 5.00</b>
5	Bronze Mirror, Grey Mirror & Black Mirror	<b>+RM 7.00</b>
6	Bronze Reflective	<b>+RM 20.00</b>
7	Spray Paint Normal Glass Solid Colour	<b>+RM 5.00</b>
8	Spray Paint Normal Glass Metallic Colour	<b>+RM 6.00</b>
9	Extra Clear Glass Normal Sticker	<b>+RM 8.00</b>
10	Extra Clear Glass Special Sticker	<b>+RM 9.00</b>
11	Extra Clear Glass Spray Solid Colour + Sticker	<b>+RM 13.00</b>
12	Extra Clear Glass Spray Metallic Colour + Sticker	<b>+RM 14.00</b>
13	Perforated Panel	<b>+RM 10.00</b>
14	Acrylic Clear Normal Sticker	<b>+RM 9.00</b>
15	Acrylic Clear Special Sticker	<b>+RM 10.00</b>
16	Acrylic Solid White & Black	<b>+RM 11.00</b>
17	Acrylic Clear Spray Solid Colour	<b>+RM 14.00</b>
18	Acrylic Clear Spray Metallic Colour	<b>+RM 15.00</b>
19	Powder Coating	<b>+RM 3.00</b>

## AJD1 Aluminium Sliding Door



( MOQ Order 15 Sqft / Door )

No	Material	U/Sqft
1	Normal Sand Sticker 215, 216, 217, 218, 219, 220 & White	<b>RM 16.80</b>
2	Special Sticker 231, 601, 660, 670, 892, 323, 324 & 326	<b>+RM 3.00</b>
3	Clear Mirror	<b>+RM 4.00</b>
4	Black Tinted, Brown Tinted & Euro Grey Tinted	<b>+RM 5.00</b>
5	Bronze Mirror, Grey Mirror & Black Mirror	<b>+RM 7.00</b>
6	Bronze Reflective	<b>+RM 20.00</b>
7	Spray Paint Normal Glass Solid Colour	<b>+RM 5.00</b>
8	Spray Paint Normal Glass Metallic Colour	<b>+RM 6.00</b>
9	Extra Clear Glass Normal Sticker	<b>+RM 8.00</b>
10	Extra Clear Glass Special Sticker	<b>+RM 9.00</b>
11	Extra Clear Glass Spray Solid Colour + Sticker	<b>+RM 13.00</b>
12	Extra Clear Glass Spray Metallic Colour + Sticker	<b>+RM 14.00</b>
13	Perforated Panel	<b>+RM 10.00</b>
14	Acrylic Clear Normal Sticker	<b>+RM 9.00</b>
15	Acrylic Clear Special Sticker	<b>+RM 10.00</b>
16	Acrylic Solid White & Black	<b>+RM 11.00</b>
17	Acrylic Clear Spray Solid Colour	<b>+RM 14.00</b>
18	Acrylic Clear Spray Metallic Colour	<b>+RM 15.00</b>
19	Powder Coating	<b>+RM 3.00</b>

## Additional Charge

A) Model: G3, D1, C1, AJP1 = M.O.Q 15 sqft/door

B) Model: SG19 = M.O.Q 18 sqft/door

C) < i > Top Track - Double + **RM28.00** nett/meter, < ii > Bottom Track - Double + **RM13.00** nett/meter

D) < i > Top Track - Single + **RM22.00** nett/meter, < ii > Bottom Track - Single + **RM12.00** nett/meter

\*E) Soft close mechanism + **RM120.00** nett/set

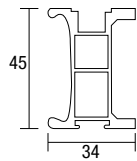
\*F) Heavy duty soft close mechanism **RM160.00** nett/set

\*G) Transport charges to site **RM150**/trip

\*H) Clear Glass Tempered + **RM8.00** nett

\*I) Black, Euro Grey, Brown Tinted Tempered + **RM12.00** nett

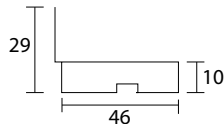
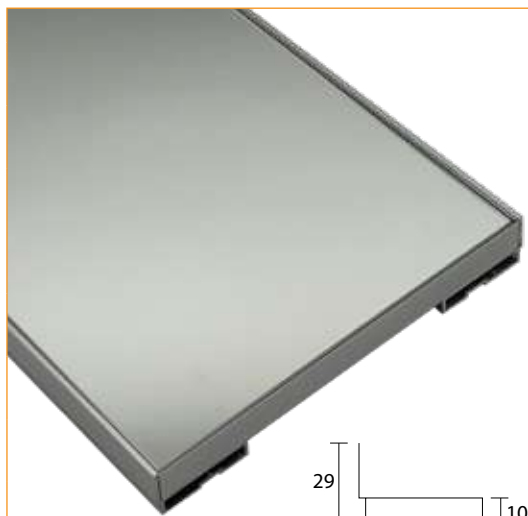
## AJC2 Aluminium Sliding Door



(MOQ Order 15 Sqft / Door)

No	Material	U/Sqft
1	Normal Sand Sticker 215, 216, 217, 218, 219, 220 & White	<b>RM 25.00</b>
2	Special Sticker 231, 601, 660, 670, 892, 323, 324 & 326	<b>+RM 3.00</b>
3	Clear Mirror	<b>+RM 4.00</b>
4	Black Tinted, Brown Tinted & Euro Grey Tinted	<b>+RM 5.00</b>
5	Bronze Mirror, Grey Mirror & Black Mirror	<b>+RM 7.00</b>
6	Bronze Reflective	<b>+RM 20.00</b>
7	Spray Paint Normal Glass Solid Colour	<b>+RM 5.00</b>
8	Spray Paint Normal Glass Metallic Colour	<b>+RM 6.00</b>
9	Extra Clear Glass Normal Sticker	<b>+RM 8.00</b>
10	Extra Clear Glass Special Sticker	<b>+RM 9.00</b>
11	Extra Clear Glass Spray Solid Colour + Sticker	<b>+RM 13.00</b>
12	Extra Clear Glass Spray Metallic Colour + Sticker	<b>+RM 14.00</b>
13	Perforated Panel	<b>+RM 10.00</b>
14	Acrylic Clear Normal Sticker	<b>+RM 9.00</b>
15	Acrylic Clear Special Sticker	<b>+RM 10.00</b>
16	Acrylic Solid White & Black	<b>+RM 11.00</b>
17	Acrylic Clear Spray Solid Colour	<b>+RM 14.00</b>
18	Acrylic Clear Spray Metallic Colour	<b>+RM 15.00</b>
19	Powder Coating	<b>+RM 3.00</b>

## AJP1 Aluminium Sliding Door



(MOQ Order 15 Sqft / Door)

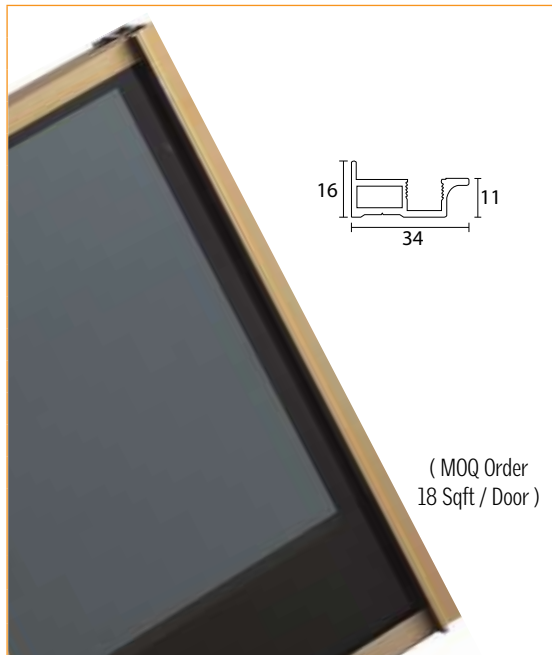
No	Material	U/Sqft
1	Clear Mirror, Spray Paint Normal Glass Solid Colour	<b>RM 45.00</b>
2	Spray Paint Normal Glass Metallic Colour	<b>+RM 1.00</b>
3	Bronze Mirror, Grey Mirror, Black Mirror	<b>+RM 7.00</b>
4	Extra Clear Glass Spray Solid Colour	<b>+RM 6.00</b>
5	Extra Clear Glass Spray Metallic Colour	<b>+RM 7.00</b>
6	Special Spray Paint Normal Glass Solid Colour	<b>+RM 3.00</b>
7	Special Spray Paint Normal Glass Metallic Colour	<b>+RM 4.00</b>
8	Special Spray Paint Extra Clear Glass Solid Colour	<b>+RM 7.00</b>
9	Special Spray Paint Extra Clear Glass Metallic Colour	<b>+RM 8.00</b>
10	Special Spray Paint Black/ Brown/ Euro Grey Tinted	<b>+RM 9.00</b>

### Additional Charge

- A) Model: G3, D1, C1, AJP1 = M.O.Q 15 sqft/door
- B) Model: SG19 = M.O.Q 18 sqft/door
- C) < i > Top Track - Double + **RM28.00** nett/meter, < ii > Bottom Track - Double + **RM13.00** nett/meter
- D) < i > Top Track - Single + **RM22.00** nett/meter, < ii > Bottom Track - Single + **RM12.00** nett/meter
- \*E) Soft close mechanism + **RM120.00** nett/set
- \*F) Heavy duty soft close mechanism **RM160.00** nett/set
- \*G) Transport charges to site **RM150**/trip
- \*H) Clear Glass Tempered + **RM8.00** nett
- \*I) Black, Euro Grey, Brown Tinted Tempered + **RM12.00** nett

\* All the measurement by millimeter (mm)

## SG19 Aluminium Sliding Door

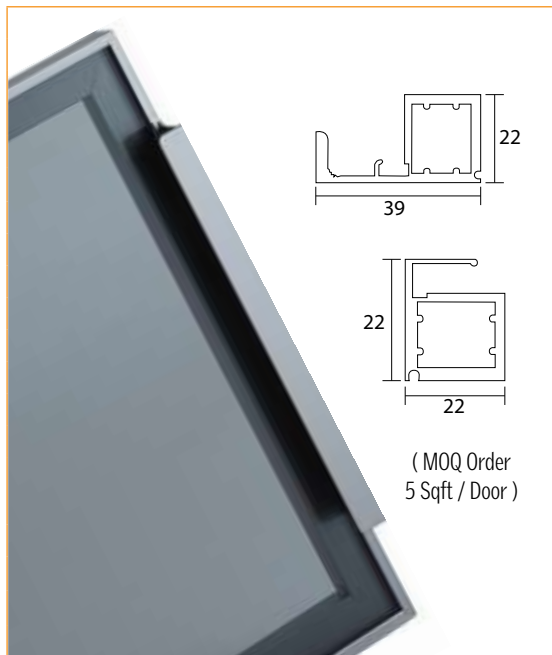


No	Material	U/Sqft
1	Normal Sand Sticker 215, 216, 217, 218, 219, 220 & White	<b>RM 30.00</b>
2	Special Sticker 231, 601, 660, 670, 892, 323, 324 & 326	<b>+RM 3.00</b>
3	Clear Mirror	<b>+RM 4.00</b>
4	Black Tinted, Brown Tinted & Euro Grey Tinted	<b>+RM 5.00</b>
5	Bronze Mirror, Grey Mirror & Black Mirror	<b>+RM 7.00</b>
6	Bronze Reflective	<b>+RM 20.00</b>
7	Spray Paint Normal Glass Solid Colour	<b>+RM 5.00</b>
8	Spray Paint Normal Glass Metallic Colour	<b>+RM 6.00</b>
9	Extra Clear Glass Normal Sticker	<b>+RM 8.00</b>
10	Extra Clear Glass Special Sticker	<b>+RM 9.00</b>
11	Extra Clear Glass Spray Solid Colour + Sticker	<b>+RM 13.00</b>
12	Extra Clear Glass Spray Metallic Colour + Sticker	<b>+RM 14.00</b>
13	Perforated Panel	<b>+RM 10.00</b>
14	Acrylic Clear Normal Sticker	<b>+RM 9.00</b>
15	Acrylic Clear Special Sticker	<b>+RM 10.00</b>
16	Acrylic Solid White & Black	<b>+RM 11.00</b>
17	Acrylic Clear Spray Solid Colour	<b>+RM 14.00</b>
18	Acrylic Clear Spray Metallic Colour	<b>+RM 15.00</b>
19	Powder Coating	<b>+RM 3.00</b>

### Additional Charge

- A) Model: G3, D1, C1, AJP1 = M.O.Q 15 sqft/door  
 B) Model: SG19 = M.O.Q 18 sqft/door  
 C) < i > Top Track - Double + **RM28.00** nett/meter,  
 < ii > Bottom Track - Double + **RM13.00** nett/meter  
 D) < i > Top Track - Single + **RM22.00** nett/meter,  
 < ii > Bottom Track - Single + **RM12.00** nett/meter  
 \*E) Soft close mechanism + **RM120.00** nett/set  
 \*F) Heavy duty soft close mechanism **RM160.00** nett/set  
 \*G) Transport charges to site **RM150**/trip  
 \*H) Clear Glass Tempered + **RM8.00** nett  
 \*I) Black, Euro Grey, Brown Tinted Tempered + **RM12.00** nett

## GM5 Aluminium Swing Door

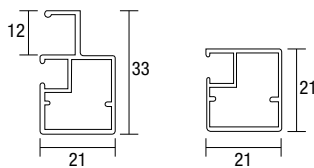


No	Material	U/Sqft
1	Normal Sand Sticker 215, 216, 217, 218, 219, 220 & White	<b>RM 47.00</b>
2	Special Sticker 231, 601, 660, 670, 892, 323, 324 & 326	<b>+RM 3.00</b>
3	Clear Mirror	<b>+RM 4.00</b>
4	Black Tinted, Brown Tinted & Euro Grey Tinted	<b>+RM 5.00</b>
5	Bronze Mirror, Grey Mirror & Black Mirror	<b>+RM 7.00</b>
6	Bronze Reflective	<b>+RM 20.00</b>
7	Spray Paint Normal Glass Solid Colour	<b>+RM 5.00</b>
8	Spray Paint Normal Glass Metallic Colour	<b>+RM 6.00</b>
9	Extra Clear Glass Normal Sticker	<b>+RM 8.00</b>
10	Extra Clear Glass Special Sticker	<b>+RM 9.00</b>
11	Extra Clear Glass Spray Solid Colour + Sticker	<b>+RM 13.00</b>
12	Extra Clear Glass Spray Metallic Colour + Sticker	<b>+RM 14.00</b>
13	Perforated Panel	<b>+RM 10.00</b>
14	Acrylic Clear Normal Sticker	<b>+RM 9.00</b>
15	Acrylic Clear Special Sticker	<b>+RM 10.00</b>
16	Acrylic Solid White & Black	<b>+RM 11.00</b>
17	Acrylic Clear Spray Solid Colour	<b>+RM 14.00</b>
18	Acrylic Clear Spray Metallic Colour	<b>+RM 15.00</b>
19	Powder Coating	<b>+RM 3.00</b>

### Additional Charge

- A) Model: GM5 = M.O.Q 5 sqft/door  
 B) Model: 250, M3X, P1, P2, P5, P7, P9 = M.O.Q. 2 sqft/door  
 \*C) Model: 250 soft close hinge + **RM4.00** nett/pc  
 \*D) Model: 250 black colour soft close hinge + **RM5.00** nett/pc  
 \*E) 296 sliding rollet set + **RM10.00** nett/door  
 \*F) 380 sliding roller set + **RM10.00** nett/door  
 G) 380 Top & Bottom track (Double) + **RM22.00** nett/meter  
 H) 380 Top & Bottom track (Single) + **RM10.00** nett/meter  
 I) Special matching colour below 30 sqft charges **RM100.00** nett  
 \*J) Transport charges to site **RM150**/trip  
 \*K) Clear Glass Tempered + **RM8.00** nett  
 \*L) Black, Euro Grey, Brown Tinted Tempered + **RM12.00** nett  
 M) GM5 2/8 Soft Close Hinge Black Colour = **RM13.00** nett/pc

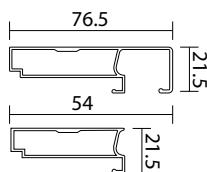
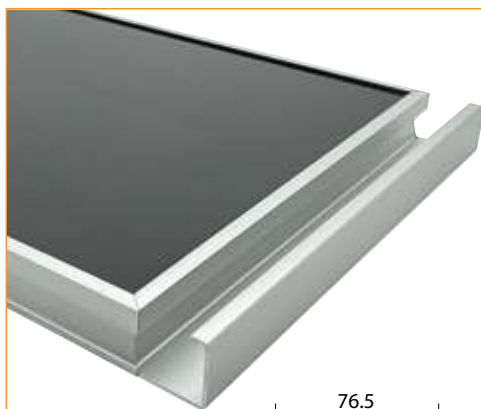
## 250 Aluminium Swing Door



(MOQ Order 2 Sqft / Door)

No	Material	U/Sqft
1	Normal Sand Sticker 215, 216, 217, 218, 219, 220 & White	<b>RM 25.00</b>
2	Special Sticker 231, 601, 660, 670, 892, 323, 324 & 326	<b>+RM 3.00</b>
3	Clear Mirror	<b>+RM 4.00</b>
4	Black Tinted, Brown Tinted & Euro Grey Tinted	<b>+RM 5.00</b>
5	Bronze Mirror, Grey Mirror & Black Mirror	<b>+RM 7.00</b>
6	Bronze Reflective	<b>+RM 20.00</b>
7	Spray Paint Normal Glass Solid Colour	<b>+RM 5.00</b>
8	Spray Paint Normal Glass Metallic Colour	<b>+RM 6.00</b>
9	Extra Clear Glass Normal Sticker	<b>+RM 8.00</b>
10	Extra Clear Glass Special Sticker	<b>+RM 9.00</b>
11	Extra Clear Glass Spray Solid Colour + Sticker	<b>+RM 13.00</b>
12	Extra Clear Glass Spray Metallic Colour + Sticker	<b>+RM 14.00</b>
13	Perforated Panel	<b>+RM 10.00</b>
14	Acrylic Clear Normal Sticker	<b>+RM 9.00</b>
15	Acrylic Clear Special Sticker	<b>+RM 10.00</b>
16	Acrylic Solid White & Black	<b>+RM 11.00</b>
17	Acrylic Clear Spray Solid Colour	<b>+RM 14.00</b>
18	Acrylic Clear Spray Metallic Colour	<b>+RM 15.00</b>
19	Powder Coating	<b>+RM 3.00</b>

## M3X Aluminium Swing Door



(MOQ Order 2 Sqft / Door)

No	Material	U/Sqft
1	Normal Sand Sticker 215, 216, 217, 218, 219, 220 & White	<b>RM 25.00</b>
2	Special Sticker 231, 601, 660, 670, 892, 323, 324 & 326	<b>+RM 3.00</b>
3	Clear Mirror	<b>+RM 4.00</b>
4	Black Tinted, Brown Tinted & Euro Grey Tinted	<b>+RM 5.00</b>
5	Bronze Mirror, Grey Mirror & Black Mirror	<b>+RM 7.00</b>
6	Bronze Reflective	<b>+RM 20.00</b>
7	Spray Paint Normal Glass Solid Colour	<b>+RM 5.00</b>
8	Spray Paint Normal Glass Metallic Colour	<b>+RM 6.00</b>
9	Extra Clear Glass Normal Sticker	<b>+RM 8.00</b>
10	Extra Clear Glass Special Sticker	<b>+RM 9.00</b>
11	Extra Clear Glass Spray Solid Colour + Sticker	<b>+RM 13.00</b>
12	Extra Clear Glass Spray Metallic Colour + Sticker	<b>+RM 14.00</b>
13	Perforated Panel	<b>+RM 10.00</b>
14	Acrylic Clear Normal Sticker	<b>+RM 9.00</b>
15	Acrylic Clear Special Sticker	<b>+RM 10.00</b>
16	Acrylic Solid White & Black	<b>+RM 11.00</b>
17	Acrylic Clear Spray Solid Colour	<b>+RM 14.00</b>
18	Acrylic Clear Spray Metallic Colour	<b>+RM 15.00</b>
19	Powder Coating	<b>+RM 3.00</b>

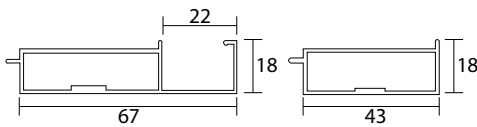
### Additional Charge

- A) Model: GM5 = M.O.Q 5 sqft/door
- B) Model: 250, M3X, P1, P2, P5, P7, P9 = M.O.Q. 2 sqft/door
- \*C) Model: 250 soft close hinge + **RM4.00** nett/pc
- \*D) Model: 250 black colour soft close hinge + **RM5.00** nett/pc
- \*E) 296 sliding rollet set + **RM10.00** nett/door
- \*F) 380 sliding roller set + **RM10.00** nett/door
- G) 380 Top & Bottom track (Double) + **RM22.00** nett/meter

- H) 380 Top & Bottom track (Single) + **RM10.00** nett/meter
- I) Special matching colour below 30 sqft charges **RM100.00** nett
- \*J) Transport charges to site **RM150**/trip
- \*K) Clear Glass Tempered + **RM8.00** nett
- \*L) Black, Euro Grey, Brown Tinted Tempered + **RM12.00** nett
- M) GM5 2/8 Soft Close Hinge Black Colour = **RM13.00** nett/pc



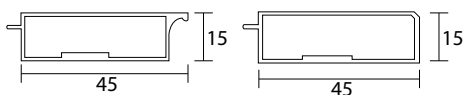
## Premium 1 Aluminium Swing Door



(MOQ Order 2 Sqft / Door)

No	Material	U/Sqft
1	Clear Mirror, Spray Paint Normal Glass Solid Colour	<b>RM 35.00</b>
2	Spray Paint Normal Glass Metallic Colour	<b>+RM 1.00</b>
3	Bronze Mirror, Grey Mirror, Black Mirror	<b>+RM 7.00</b>
4	Extra Clear Glass Spray Solid Colour	<b>+RM 4.00</b>
5	Extra Clear Glass Spray Metallic Colour	<b>+RM 5.00</b>
6	Special Spray Paint Normal Glass Solid Colour	<b>+RM 3.00</b>
7	Special Spray Paint Normal Glass Metallic Colour	<b>+RM 4.00</b>
8	Special Spray Paint Extra Clear Glass Solid Colour	<b>+RM 7.00</b>
9	Special Spray Paint Extra Clear Glass Metallic Colour	<b>+RM 8.00</b>
10	Special Spray Paint Black / Brown / Euro Grey Tinted	<b>+RM 7.00</b>
11	Powder Coating	<b>+RM 3.00</b>
12	Acrylic Solid, White & Black	<b>+RM 7.00</b>
13	Acrylic Clear Spray Solid Colour	<b>+RM 11.00</b>
14	Acrylic Clear Spray Metallic Colour	<b>+RM 12.00</b>

## Premium 2 Aluminium Swing Door



(MOQ Order 2 Sqft / Door)

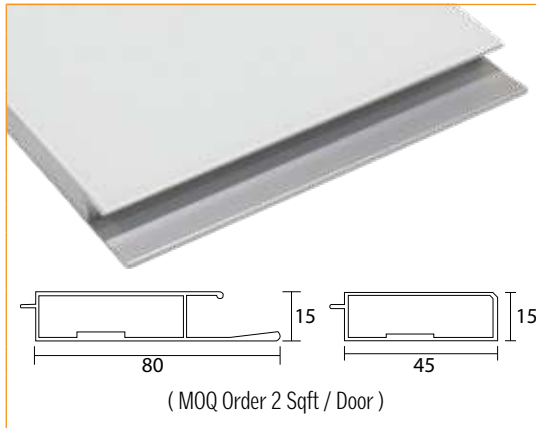
No	Material	U/Sqft
1	Clear Mirror, Spray Paint Normal Glass Solid Colour	<b>RM 35.00</b>
2	Spray Paint Normal Glass Metallic Colour	<b>+RM 1.00</b>
3	Bronze Mirror, Grey Mirror, Black Mirror	<b>+RM 7.00</b>
4	Extra Clear Glass Spray Solid Colour	<b>+RM 4.00</b>
5	Extra Clear Glass Spray Metallic Colour	<b>+RM 5.00</b>
6	Special Spray Paint Normal Glass Solid Colour	<b>+RM 3.00</b>
7	Special Spray Paint Normal Glass Metallic Colour	<b>+RM 4.00</b>
8	Special Spray Paint Extra Clear Glass Solid Colour	<b>+RM 7.00</b>
9	Special Spray Paint Extra Clear Glass Metallic Colour	<b>+RM 8.00</b>
10	Special Spray Paint Black / Brown / Euro Grey Tinted	<b>+RM 7.00</b>
11	Powder Coating	<b>+RM 3.00</b>
12	Acrylic Solid, White & Black	<b>+RM 7.00</b>
13	Acrylic Clear Spray Solid Colour	<b>+RM 11.00</b>
14	Acrylic Clear Spray Metallic Colour	<b>+RM 12.00</b>

### Additional Charge

- A) Model: GM5 = M.O.Q 5 sqft/door
- B) Model: 250, M3X, P1, P2, P5, P7, P9 = M.O.Q. 2 sqft/door
- \*C) Model: 250 soft close hinge + **RM4.00** nett/pc
- \*D) Model: 250 black colour soft close hinge + **RM5.00** nett/pc
- \*E) 296 sliding rollet set + **RM10.00** nett/door
- \*F) 380 sliding roller set + **RM10.00** nett/door
- G) 380 Top & Bottom track (Double) + **RM22.00** nett/meter

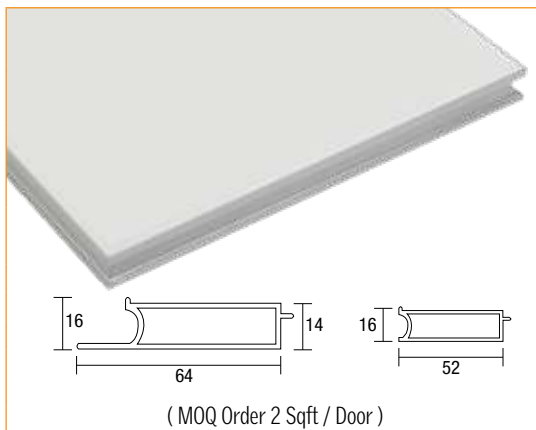
- H) 380 Top & Bottom track (Single) + **RM10.00** nett/meter
- I) Special matching colour below 30 sqft charges **RM100.00** nett
- \*J) Transport charges to site **RM150**/trip
- \*K) Clear Glass Tempered + **RM8.00** nett
- \*L) Black, Euro Grey, Brown Tinted Tempered + **RM12.00** nett
- M) GM5 2/8 Soft Close Hinge Black Colour = **RM13.00** nett/pc

## Premium 5 Aluminium Swing Door



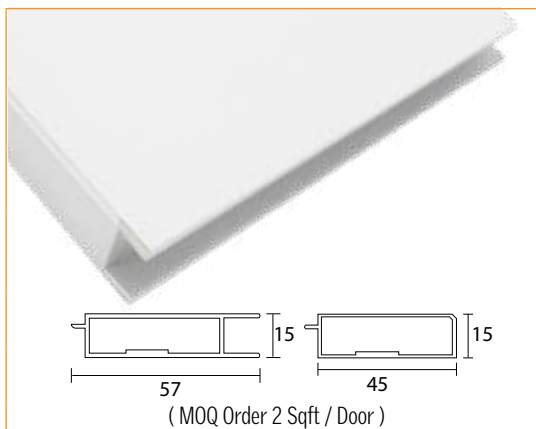
No	Material	U/Sqft
1	Clear Mirror, Spray Paint Normal Glass Solid Colour	<b>RM 35.00</b>
2	Spray Paint Normal Glass Metallic Colour	<b>+RM 1.00</b>
3	Bronze Mirror, Grey Mirror, Black Mirror	<b>+RM 7.00</b>
4	Extra Clear Glass Spray Solid Colour	<b>+RM 4.00</b>
5	Extra Clear Glass Spray Metallic Colour	<b>+RM 5.00</b>
6	Special Spray Paint Normal Glass Solid Colour	<b>+RM 3.00</b>
7	Special Spray Paint Normal Glass Metallic Colour	<b>+RM 4.00</b>
8	Spray Paint Extra Clear Glass Solid Colour	<b>+RM 7.00</b>
9	Special Spray Paint Extra Clear Glass Metallic Colour	<b>+RM 8.00</b>
10	Special Spray Paint Black / Brown / Euro Grey Tinted	<b>+RM 7.00</b>
11	Powder Coating	<b>+RM 3.00</b>
12	Acrylic Solid, White & Black	<b>+RM 7.00</b>
13	Acrylic Clear Spray Solid Colour	<b>+RM 11.00</b>
14	Acrylic Clear Spray Metallic Colour	<b>+RM 12.00</b>

## Premium 7 Aluminium Swing Door



No	Material	U/Sqft
1	Clear Mirror, Spray Paint Normal Glass Solid Colour	<b>RM 35.00</b>
2	Spray Paint Normal Glass Metallic Colour	<b>+RM 1.00</b>
3	Bronze Mirror, Grey Mirror, Black Mirror	<b>+RM 7.00</b>
4	Extra Clear Glass Spray Solid Colour	<b>+RM 4.00</b>
5	Extra Clear Glass Spray Metallic Colour	<b>+RM 5.00</b>
6	Special Spray Paint Normal Glass Solid Colour	<b>+RM 3.00</b>
7	Special Spray Paint Normal Glass Metallic Colour	<b>+RM 4.00</b>
8	Spray Paint Extra Clear Glass Solid Colour	<b>+RM 7.00</b>
9	Special Spray Paint Extra Clear Glass Metallic Colour	<b>+RM 8.00</b>
10	Special Spray Paint Black / Brown / Euro Grey Tinted	<b>+RM 7.00</b>
11	Powder Coating	<b>+RM 3.00</b>
12	Acrylic Solid, White & Black	<b>+RM 7.00</b>
13	Acrylic Clear Spray Solid Colour	<b>+RM 11.00</b>
14	Acrylic Clear Spray Metallic Colour	<b>+RM 12.00</b>

## Premium 9 Aluminium Swing Door



No	Material	U/Sqft
1	Clear Mirror, Spray Paint Normal Glass Solid Colour	<b>RM 35.00</b>
2	Spray Paint Normal Glass Metallic Colour	<b>+RM 1.00</b>
3	Bronze Mirror, Grey Mirror, Black Mirror	<b>+RM 7.00</b>
4	Extra Clear Glass Spray Solid Colour	<b>+RM 4.00</b>
5	Extra Clear Glass Spray Metallic Colour	<b>+RM 5.00</b>
6	Special Spray Paint Normal Glass Solid Colour	<b>+RM 3.00</b>
7	Special Spray Paint Normal Glass Metallic Colour	<b>+RM 4.00</b>
8	Spray Paint Extra Clear Glass Solid Colour	<b>+RM 7.00</b>
9	Special Spray Paint Extra Clear Glass Metallic Colour	<b>+RM 8.00</b>
10	Special Spray Paint Black / Brown / Euro Grey Tinted	<b>+RM 7.00</b>
11	Powder Coating	<b>+RM 3.00</b>
12	Acrylic Solid, White & Black	<b>+RM 7.00</b>
13	Acrylic Clear Spray Solid Colour	<b>+RM 11.00</b>
14	Acrylic Clear Spray Metallic Colour	<b>+RM 12.00</b>

### Additional Charge

A) Model: GM5 = M.O.Q 5 sqft/door

B) Model: 250, M3X, P1, P2, P5, P7, P9 = M.O.Q. 2 sqft/door

\*C) Model: 250 soft close hinge + **RM4.00** nett/pc

\*D) Model: 250 black colour soft close hinge + **RM5.00** nett/pc

\*E) 296 sliding rolet set + **RM10.00** nett/door

\*F) 380 sliding roller set + **RM10.00** nett/door

G) 380 Top & Bottom track (Double) + **RM22.00** nett/meter

H) 380 Top & Bottom track (Single) + **RM10.00** nett/meter

I) Special matching colour below 30 sqft charges **RM100.00** nett

\*J) Transport charges to site **RM150**/trip

\*K) Clear Glass Tempered + **RM8.00** nett

\*L) Black, Euro Grey, Brown Tinted Tempered + **RM12.00** nett

M) GM5 2/8 Soft Close Hinge Black Colour = **RM13.00** nett/pc



## Acrylic Door Panel

No	Crystal Team Colour					5 Side	6 Side
	1	3001	3092	3202	3313	3566	<b>RM 33.50</b>
	3002	3101	3210	3333	3588		
	3008	3123	3223	3344	3606		
	3011	3131	3252	3388	3636		
	3030	3151	3286	3456	3666		
	3050	3168	3300	3500	3678		
2	1011	1212	1300	1477		<b>RM 35.50</b>	<b>RM 50.50</b>
	1033	1288	1399				
3	5001	5353				<b>RM 38.50</b>	<b>RM 53.50</b>
4	Crystal Team Matt White, Crystal Team Matt Black					<b>RM 35.50</b>	<b>RM 50.50</b>

### Additional Charge :

- 1) Aluminium G Handle + **RM 0.60**/inch
- 2) 35° Slope Handle + **RM 0.60**/inch
- 3) Hinge Hole - F.O.C
- 4) Additional 1 Side acrylic + **RM 20-30**/sqft (Min 1 sqft)
- 5) Corner Infill + **RM 50.00**/Set

- 6) Minimum Charges per door / Panel - 2 sqft
- 7) for special colour below 30 sqft, additional charge **RM 100.00** per order

Remark : Door Thickness 17mm +-



**TW Kitchen And Bath Sdn. Bhd.** 200101028663 (564421-V) (formerly known as TEAMHAUSS Sdn. Bhd.)  
No. 36, Jalan TPP 5, Taman Perindustrian Putra, 47130 Puchong, Selangor Darul Ehsan, Malaysia  
**Tel:** +603-8601 3888 (Hunting Line) **HP:** +6012-713 3799 (Hotline)  
**Fax:** +603-8051 2812 (Finance) / +603-5886 0740 (Sales)  
**Email:** enquiry@scanteam.com.my **Web:** www.twkitchenandbath.com

**HAU2S**<sup>®</sup> Distributed by :